

RLM SERIES

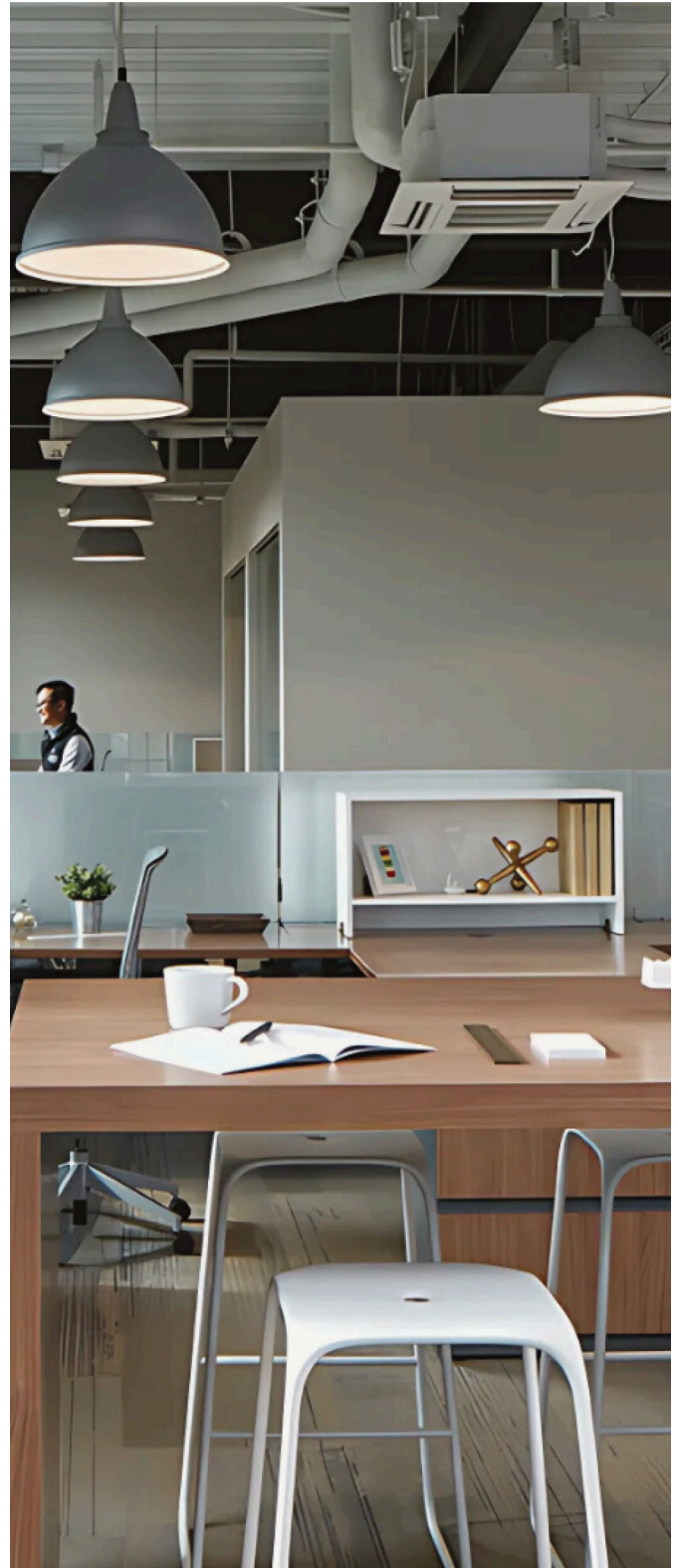
Exclusive Catalog

Bock Lighting



Index

3	About Bock
4	RLM Heritage
6	RLM fixture
7	Product Builder
9	Standard Reflectors
16	Sign Lighters
18	Dècor
29	Galvanized RLM Reflectors
31	Metro Series
35	Powder Coat Colors
36	Lamp Type
40	Drive/Ballast Enclosure
41	Globe & Guard Options
43	Mounting - Stem/Pendant/Canopy/Cord
46	Cloth Cords Colors
47	Mounting - Brackets & Gooseneck
52	Photometric & Application Data
54	Bock's Projects



About Bock

In 1918, my great grandfather Ben and his brothers started Spero Lighting/Spero Electric with a commitment to high-quality electrical and lighting products, innovation, and unparalleled customer service. For the next 3 generations, the torch passed down the family line, from my grandfather, Manny, to my father, Mitchell, to me, as our dedication to quality, service, and innovation persisted. In 2009, Bock Lighting acquired Spero Lighting and together we have continued to offer and advance the high-quality lighting products that my family created.

We have also successfully grown into other lighting product categories. We now design and manufacture lighting for a number of different applications.

Ezra Spero,
President

WHAT MAKES BOCK LIGHTING UNIQUE?

Bock Lighting delivers high-quality lighting fixtures, exceptional service, continuous innovation, great value, and the ability to fully customize a lighting solution.

EXCEPTIONAL CUSTOMER SERVICE

Customers of Bock Lighting rave about the company's straightforward sales approach, scheduling flexibility and incredibly short lead times (standard products can be delivered in less than two weeks.) The entire Bock Lighting team is devoted to providing a satisfying experience and will go to great lengths to exceed our customers expectations.

CONTINUOUS INNOVATION

Bock Lighting continues to innovate and improve its products to incorporate industry advancements in materials and technology, without compromising the aesthetics and integrity of the fixtures. Fixtures are compatible with a number of lamp types including LED light sources that offer increased fixture efficiency, long product life, and smooth and even light distribution.

IMPRESSIVE CUSTOM LIGHTING SOLUTIONS

Designers often turn to Bock Lighting to create fully custom lighting solutions for their projects. From a special color to a unique mounting type or tailored reflector design, every aspect of the lighting fixture can be modified. The incredible flexibility in customization is made possible by the talent and dedication of the Bock team and the company's local manufacturing facility. All Bock Lighting fixtures are manufactured and assembled in Cleveland, Ohio.



The Heritage of the Bock RLM Series

The Bock RLM series is iconic in both style and functionality. First developed in the early 1900's to replace the individual overhead lights traditionally used in warehouses and factories, the RLM light fixture, most often characterized by its spun metal reflector and white interior, offered a more efficient lighting solution that provided a broader distribution of light. In 1919, a standard was developed to specify minimum requirements in efficiency, safety, and quality for these types of fixtures. It was called the RLM Standard Specifications for Industrial Lighting Units. The Spero RLM fixture was one of the fixtures to earn the approval of this original lighting standard.



Since then, a number of changes have been made to the Spero RLM series. New metals, materials, painting techniques, and lighting technologies have improved the overall performance and durability of the fixture, without compromising the iconic spun-metal design. Bock Lighting has also expanded the RLM series to include more shapes, colors, lamp types, and mounting options.



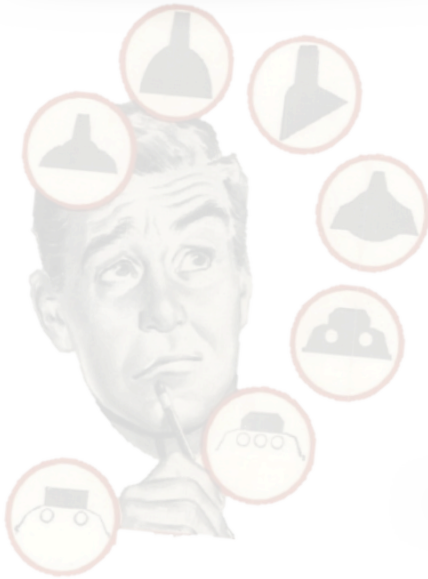
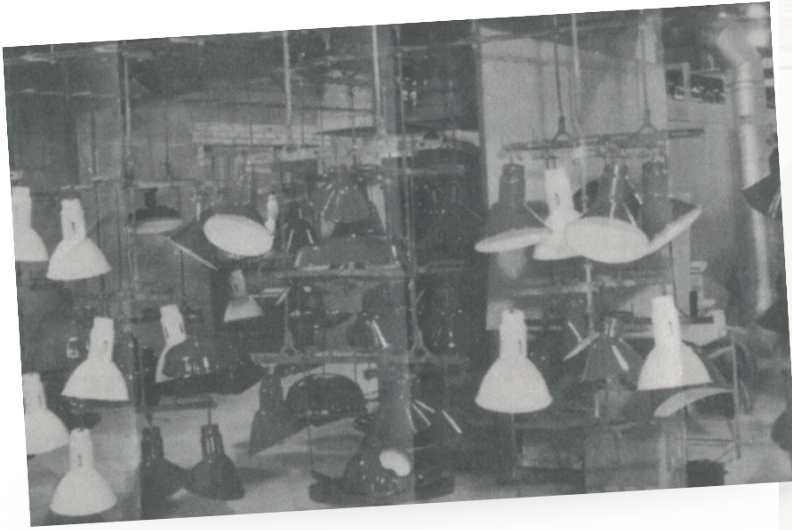
With continued innovation, the iconic Bock RLM series now offers:

- Reflectors made of precision spun aluminum or steel.
- A high-quality, thermally-cured polyester powder coat paint for unparalleled durability.
- Higher reflectance values which improve the overall efficiency of the fixture.
- Turned-in bottom beads add strength and prevent the collection of dirt and water on the fixture.
- Compatibility with several light sources including the latest in LED technology.

RLM

Standard Specifications

for industrial lighting equipment



How to Specify an RLM Fixture

1 SELECT REFLECTOR DESIGN

a. All Reflectors come standard with Medium Base (#5) socket with 96" leads 3/4" hub.

2 SELECT COLOR FINISH INTERIOR + EXTERIOR

a. Fixtures come standard with Powder Coat Finish

b. Bock offers over 30 color finishes in High Quality Polyester Powder Coating for indoor/outdoor use.

3 SELECT LIGHT SOURCE

a. Select Light Source, if Medium Base (#5) Incandescent not applicable to your application.

b. Other light sources include Speciality and LED modules.

c. LVXV1- LED choose Lumens and Kelvins.

4 SELECT ACCESSORIES

a. Accessory Options - some accessories may not be compatible with certain builds

i. Lens

ii. Cast Guards

iii. Wire Guards

b. Color choice required

5 SELECT BALLAST ENCLOSURE

a. Driver/Ballast Enclosure may be required depending on light source and reflector.

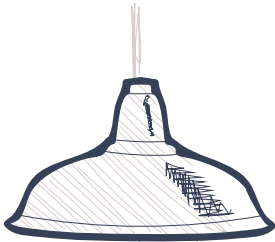
6 SELECT MOUNTING

a. Select Mounting option. (Goosenecks, Cord, Stem and other options.)

b. Color choice required

516-G0

Reflector Series & Color
516 in Black



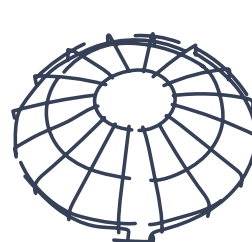
MED5

Light Source
Medium Base



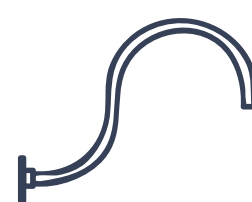
116AR-G0

Accessory - Guard
16" Wire Guard in Black



GN23A-G0

Mounting & Color
Gooseneck in Black



CROSS REFERENCING

Have a different product code, or need an alternative, call or eMail Bock, for assistance.

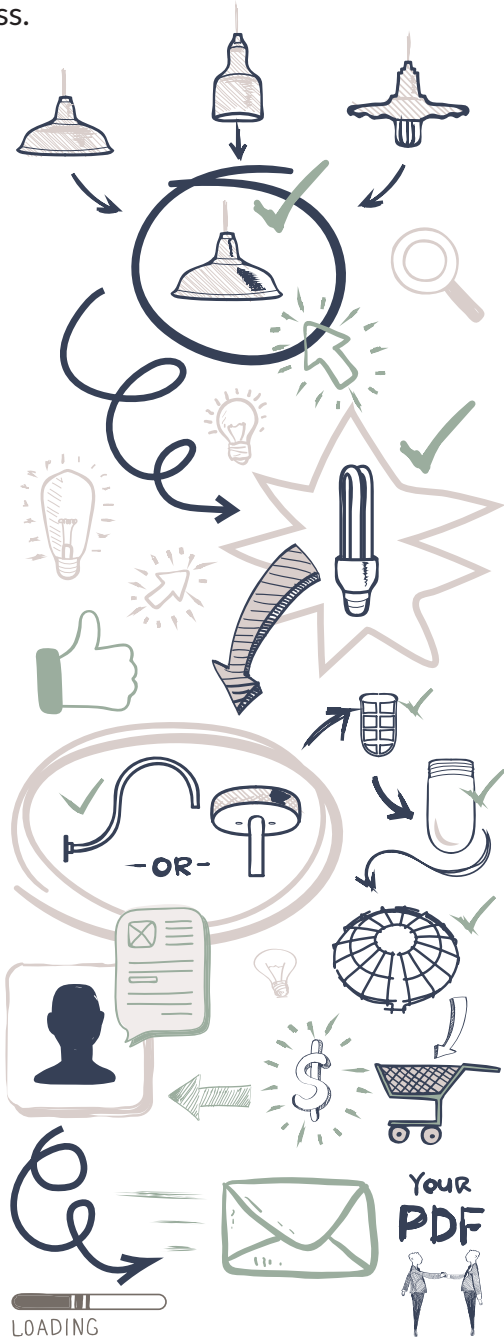
 216-912-7050

 FAX to 216-912-7051

 SALES@BOCKLIGHTING.COM

RLM Product Builder

Use the Product Builder to generate a PDF to share with your design team. Only valid product configurations will be created by the Product Builder, eliminating the guesswork and potential errors from the specification process.



HOW TO

Begin on www.BockLighting.com/create

Step 1 • **Select Reflector Style**

Step 2 • **Select Color Finish Interior + Exterior**

Step 3 • **Select Select Lamp Type**
(Including the latest in LED technology)

Step 4 • **Select Accessories**
(Wireguard, Jelly Jar, Lens, etc.)

Step 5 • **Select Ballast Enclosure (If applicable)**

Step 6 • **Select Mounting Type**

Step 7 • **Personalize**
(Add project details to your spec sheet)

Step 8 • **Save this Build**
(You now have a custom PDF spec sheet)

Download PDF and Send

Watch a short tutorial at www.bocklighting.com/support/website
Visit the Product Builder to build your own spec.



Fixture—Standard Dome

Standard Reflectors

The Bock RLM Series combines iconic style and high-quality design to offer an excellent lighting solution for both indoor and outdoor applications. Reflectors are precision-spun from a high quality aluminum or steel. There are more than 30 shapes available in different sizes each. All reflectors compatible with a number of different light sources, mounting options, and accessories. All RLMs are Underwriter's Laboratories Inc. ® Listed, cULus listed for use in the United States and Canada.



Standard Dome

Cat.#	Max Watt	Dia	Ht
512	100W	12"	8 ¼"
514	150W	14"	8 ¼"
516	200W	16"	9 ¾"
518	300W	18"	11 ⅝"
520	300W	20"	12 ⅝"

Lamp Types: INC, LED (LVE, LVF, LVX, LAC, LAH)



Step Neck Dome

Cat.#	Max Watt	Dia	Ht
SN512	100W	12"	9"
SN514	150W	14"	9"
SN516	200W	16"	10 ½"
SN518	300W	18"	11 ⅞"
SN520	300W	20"	13 ⅜"
SN524	300W	24"	14 ½"

Lamp Types: INC, LED (LVE, LVF, LVX, LAC, LAH)



Shallow Dome

Cat.#	Max Watt	Dia	Ht
412	100W	12"	6 ⅝"
414	150W	14"	7 ⅞"
416	200W	16"	8 ½"

Lamp Types: INC, LED (LVE, LVF, LVX, LAC, LAH)

Standard Reflectors



Deep Bowl

Cat.#	Max Watt	Dia	Ht
SN908	100W	8"	7"
SN910	200W	10"	9"
SN912	300W	12"	11"

Lamp Types: INC, LED (LVE, LVF, LVX, LAC, LAH)



Downlight Reflector

Cat.#	Max Watt	Dia	Ht
914DL	300W	14"	13 ½"
916DL	300W	16"	15 ¼"
918DL	300W	18"	17 ¾"
924DL	300W	24"	18 ½"

Lamp Types: INC, LED (LVE, LVF, LVX, LAC, LAH)



Outlet Box Mounted

Cat.#	Max Watt	Dia	Ht
312-OB	100W	12"	6"
314-OB	150W	14"	6 ½"
316-OB	200W	16"	7"

Lamp Types: INC, LED (LVE, LVF, LVX, LAC, LAH)

Mount to 4" octagon box with 3.5in spacing.



Radial Wave

Cat.#	Max Watt	Dia	Ht
RW16	100W	16"	6 ¾"
RW20	200W	20"	7"

Lamp Types: INC, LED (LVE, LVF, LVX, LAC, LAH)



Self Ballasted Deep Bowl

Cat.#	Max Watt	Dia	Ht
914B	175W	14"	16"
916B	175W	16"	17"
918B	175W	18"	19"

Lamp Types: INC, LED (LVE, LVF, LVX, LAC, LAH)

Driver/Ballast built into reflector.



Self Ballasted Cone

Cat.#	Max Watt	Dia	Ht
110B*	100W	10"	9 ¼"
116B	175W	16"	13"
120B	175W	20"	14 ¾"

Lamp Types: INC, LED (LVE, LVF, LVX, LAC, LAH)

Driver/Ballast built into reflector.

*110B-External Driver/Ballast enclosure may be required



Self Ballasted Dome

Cat.#	Max Watt	Dia	Ht
516B	175W	16"	13"
520B	175W	20"	14"

Lamp Types: INC, LED (LVE, LVF, LVX, LAC, LAH)

Driver/Ballast built into reflector.



SRDB

Cat.#	Max Watt	Dia	Ht
SRDB14	100W	14"	12"

Lamp Types: INC, LED (LVE, LVF, LVX, LAC, LAH)

Standard Reflectors



SB-AG

Cat.#	Max Watt	Dia	Ht
SB-AG12	100W	12"	10"
SB-AG14	100W	14"	11"
SB-AG16	100W	16"	12"

Lamp Types: INC, LED (LVE, LVF, LVX, LAC, LAH)



SB-DL

Cat.#	Max Watt	Dia	Ht
SB-916DL	200W	16"	13 $\frac{7}{8}$ "
SB-918DL	200W	18"	15"

Lamp Types: INC, LED (LVE, LVF, LVX, LAC, LAH)



SB-RW

Cat.#	Max Watt	Dia	Ht
SB-RW16	100W	16"	6"
SB-RW20	150W	20"	6 $\frac{1}{8}$ "

Lamp Types: INC, LED (LVE, LVF, LVX, LAC, LAH)



SB-5

Cat.#	Max Watt	Dia	Ht
SB-512	100W	12"	8 $\frac{1}{4}$ "
SB-514	150W	14"	8 $\frac{1}{4}$ "
SB-516	200W	16"	10 $\frac{3}{4}$ "

Lamp Types: INC, LED (LVE, LVF, LVX, LAC, LAH)



SB-VRA

Cat.#	Max Watt	Dia	Ht
SB-VRA12	200W	12"	6½"
SB-VRA14	200W	14"	7"
SB-VRA16	200W	16"	8½"

Lamp Types: INC, LED (LVE, LVF, LVX, LAC, LAH)



SB-VRB

Cat.#	Max Watt	Dia	Ht
SB-VRB12	200W	12"	6½"
SB-VRB14	200W	14"	7¼"
SB-VRB16	200W	16"	7¾"

Lamp Types: INC, LED (LVE, LVF, LVX, LAC, LAH)



SB-VRC

Cat.#	Max Watt	Dia	Ht
SB-VRC12	200W	12"	7½"
SB-VRC14	200W	14"	7¼"
SB-VRC16	200W	16"	8½"
SB-VRC18	200W	18"	9¼"
SB-VRC20	200W	20"	9¾"

Lamp Types: INC, LED (LVE, LVF, LVX, LAC, LAH)



SB-VRD

Cat.#	Max Watt	Dia	Ht
SB-VRD12	200W	12"	7½"
SB-VRD14	200W	14"	7¼"
SB-VRD16	200W	16"	8½"
SB-VRD18	200W	18"	9¼"

Lamp Types: INC, LED (LVE, LVF, LVX, LAC, LAH)

Standard Reflectors



901 Island Light

Cat.#	Max Watt	Dia	Ht
901	100W	20"	18"

Lamp Types: INC, LED (LVE, LVF, LVX)



902 Island Light

Cat.#	Max Watt	Dia	Ht
902	100W	27"	17"

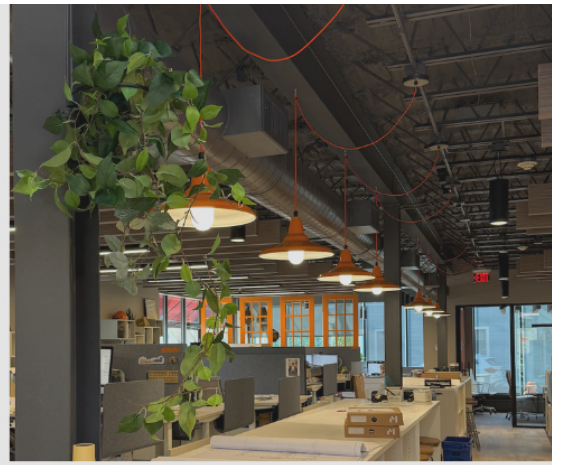
Lamp Types: INC, LED (LVE, LVF, LVX)



18" Uplight

Cat.#	Max Watt	Dia	Ht
918UL	300W	18"	17½"

Lamp Types: INC, LED (LVE, LVF, LVX, LAC, LAH)



Sign Lighters

Bock RLM angled reflectors are great for sign and entrance way applications, when used with a gooseneck.

We offer a wide variety of goosenecks and custom capabilities that help with meeting your requirements. Bock can provide photometric files and layout services to help aid in your design.



Emblem Sign

Cat.#	Max Watt	Dia	Ht
6208	100W	8"	10 1/8"
6210	150W	10"	11 3/4"
6212	200W	12"	13 3/4"
6214	300W	14"	15 3/4"
6218	300W	18"	21 1/2"
6222	300W	22"	23 1/2"

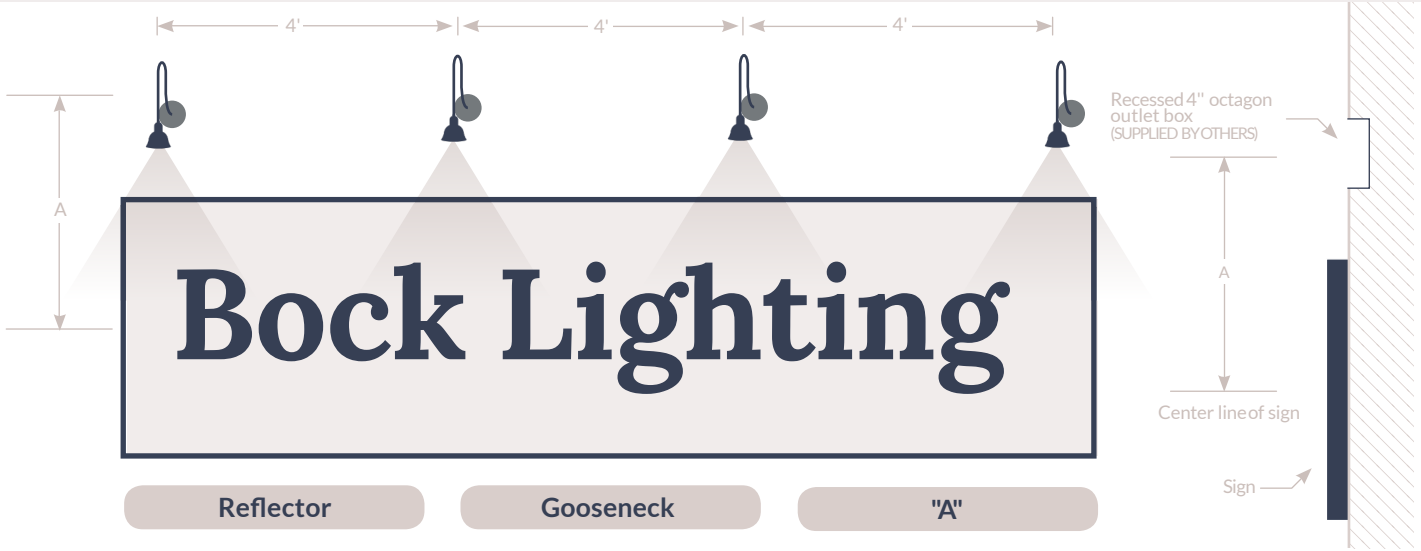
Lamp Types: INC, LED (LVE, LVF, LVX, LAC)

Step Neck Angle

Cat.#	Max Watt	Dia	Ht
SN608	100W	8"	9 1/2"
SN610	150W	10"	12"
SN612	200W	12"	14 1/4"
SN614	300W	14"	15 1/4"

Lamp Types: INC, LED (LVE, LVF, LVX, LAC)





Reflector	Gooseneck	"A"
SN608/ 6208	GN23A	34 ¼"
SN610/ 6210	GN23A	35 ¾"
SN612/ 6212	GN23A	37 ¼"

***Quick Design Tip:** When using Bock’s GN23A gooseneck to position the RLM angled reflector, mount the gooseneck 34-37 inches above the center of the sign. Spacing between fixtures should not exceed four feet.



Dècor



AG

Cat.#	Max Watt	Dia	Ht
AG12	100W	12"	6½"
AG14	150W	14"	6¾"
AG16	200W	16"	7½"

Lamp Types: INC, LED (LVE, LVF, LVX, LAC, LAH)



AH

Cat.#	Max Watt	Dia	Ht
AH08	100W	8"	9 ½"
AH10	100W	10"	11 ½"
AH12	100W	12"	13 ¾"
AH14	150W	14"	15 ¾"
AH16	150W	16"	18"

Lamp Types: INC, LED (LVE, LVF, LVX, LAC, LAH)
*AH can be customized with a wood top.



AK

Cat.#	Max Watt	Dia	Ht
AK10	100W	10"	9"
AK10VN	100W	10"	9"

Lamp Types: INC, LED (LVE, LVF, LVX, LAC, LAH)
AK Comes in both non-vented and vented style.



AL

Cat.#	Max Watt	Dia	Ht
AL12	100W	12"	7 ½"
AL14	100W	14"	10"
AL16	150W	16"	14 ¼"
AL16	200W	8"	18"

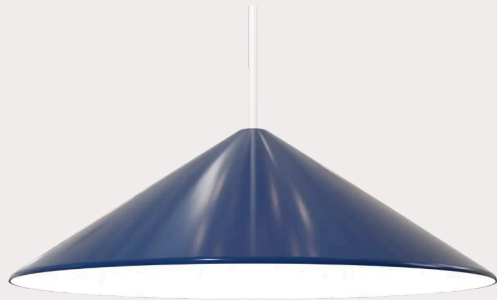
Lamp Types: INC, LED (LVE, LVF, LVX, LAC, LAH)



AS

Cat.#	Max Watt	Dia	Ht
AS08	60W	8"	7 1/2"
AS10	60W	10"	10"
AS12	60W	12"	14 1/4"
AS14	60W	14"	18"
AS16	100W	6"	18"

Lamp Types: INC, LED (LVE, LVF, LVX, LAC, LAH)



AT

Cat.#	Max Watt	Dia	Ht
AT08	60W	8"	2 9/16"
AT12	60W	12"	4"
AT16	60W	16"	5 3/8 "
AT20	60W	20"	6 3/4"
AT24	60W	24"	8 3/6 "

Lamp Types: INC, LED (LVE, LVF, LVX, LAC, LAH)



AX

Cat.#	Max Watt	Dia	Ht
AX-12-24	60W	12"	24"

Lamp Types: INC, LED (LVE, LVF, LVX, LAC)



AY

Cat.#	Max Watt	Dia	Ht
AY08	60W	8"	8"

Lamp Types: INC, LED (LVE, LVF, LVX, LAC, LAH)



Beretto

Cat.#	Max Watt	Dia	Ht
BERET15	100W	15"	7½"
BERET20	100W	20"	10"
BERET24	100W	24"	12"
BERET30	100W	30"	15"
BERET36	100W	36"	18"
BERET48	100W	48"	24"
BERET60	100W	60"	30"

Lamp Types: INC, LED (LVE, LVF, LVX, LAC, LAH)



BH

Cat.#	Max Watt	Dia	Ht
BH	100W	12"	10¾"
BHVN	100W	12"	10¾"

Lamp Types: INC, LED (LVE, LVF, LVX, LAC)

*BH Comes in both non-vented and vented style.



Bucaneve

Cat.#	Max Watt	Dia	Ht
BUC6	100W	6 ½"	8 ¾"

Lamp Types: INC, LED (LVE, LVF, LVX, LAC)

Glass version available in our Decorative Commercial offering (see website).



Bullet Pendant

Cat.#	Max Watt	Dia	Ht
BULLET-5	100W	5"	10"

Lamp Types: INC, LED (LVE, LVF, LVX)





Cylinder Light

Cat.#	Max Watt	Dia	Ht
CCL-5-12-1S	60W	5"	12"
CCL-5-12-4S	60W	5"	12"
CCL-5-12-HSS	60W	5"	12"
CCL-5-12-NS	60W	5"	12"
CCL-5-12-OS	60W	5"	12"
CCL-5-12-SL	60W	5"	12"
CCL-5-12-VSS	60W	5"	12"

Lamp Types: INC, LED (LVE, LVF, LVX, LAC)

Can be customized in different vented slots style:

Simple, Slide, Single Slot, Four Slots, Open Slots, Vertical Slots and Horizontal Slots.

Datura

Cat.#	Max Watt	Dia	Ht
DAT10	100W	10 ½"	9 ¾"

Lamp Types: INC, LED (LVE, LVF, LVX, LAC, LAH)

Glass version available in our Decorative Commercial offering (see website).

Grand Taper - Alto

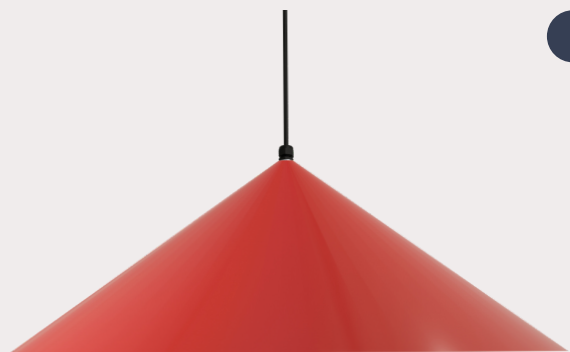
Cat.#	Max Watt	Dia	Ht
Grand-Taper-Alto	100W	18"	50"

Lamp Types: INC, LED (LVE, LVF, LVX, LAC)

Grand Taper - Mesa

Cat.#	Max Watt	Dia	Ht
Grand-Taper-Mesa	300W	31"	34"

Lamp Types: INC, LED (LVE, LVF, LVX, LAC, LAH)



Grand Taper - Stella

Cat.#	Max Watt	Dia	Ht
Grand-Taper-Stella 200W		50"	18"

Lamp Types: INC, LED (LVE, LVF, LVX, LAC, LAH)



John Harvey

Cat.#	Max Watt	Dia	Ht
JH-912	100W	12"	11"

Lamp Types: INC, LED (LVE, LVF, LVX, LAC)



Heat Lamp

Cat.#	Max Watt	Dia	Ht
CSRSN-910	100W	6 ³ / ₄ "	9 ³ / ₄ "
CSRSN-910VN 100W		6 ³ / ₄ "	9 ³ / ₄ "

Lamp Types: INC, LED (LVE, LVF, LVX)

*CSRSN Comes in both non-vented and vented style.



Margherita

Cat.#	Max Watt	Dia	Ht
MARG11	100W	11 1/2"	8 1/2"

Lamp Types: INC, LED (LVE, LVF, LVX, LAC, LAH)

Glass version available in our Decorative Commercial offering (see website).



Nuno

Cat.#	Max Watt	Dia	Ht
NUNO-10	60W	10"	8"

Lamp Types: INC, LED (LVF)



Shallow Cone

Cat.#	Max Watt	Dia	Ht
120HX	100W	13"	6 ½"
160HX	150W	16"	8 ½"

Lamp Types: INC, LED (LVE, LVF, LVX, LAC)

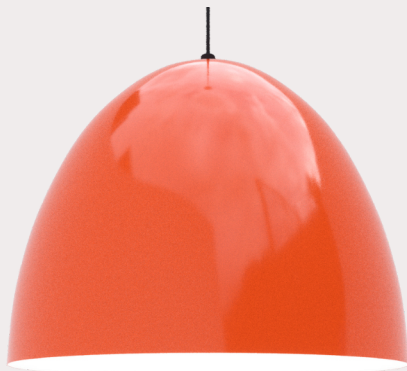


Soffione

Cat.#	Max Watt	Dia	Ht
SOF9	100W	9"	10 ½"

Lamp Types: INC, LED (LVE, LVF, LVX, LAC)

Glass version available in our Decorative Commercial offering (see website).



Tenda

Cat.#	Max Watt	Dia	Ht
TEND17	100W	16 ½"	12"

Lamp Types: INC, LED (LVE, LVF, LVX, LAC, LAH)

Glass version available in our Decorative Commercial offering (see website).



Trapez

Cat.#	Max Watt	Dia	Ht
TRAPEZ08	60W	8"	6 ¾"
TRAPEZ12	60W	12"	9 ¾"
TRAPEZ14-S	60W	12"	9 ¾"
TRAPEZ16	100W	16"	13"
TRAPEZ20	200W	20"	16"
TRAPEZ24	300W	24"	19"

Lamp Types: INC, LED (LVE, LVF, LVX, LAC, LAH)



YL14

Cat.#	Max Watt	Dia	Ht
YL14	60W	14"	10 ¾"

Lamp Types: INC, LED (LVE, LVF, LVX)



Zella

Cat.#	Max Watt	Dia	Ht
ZELLA	100W	10"	5 ½"

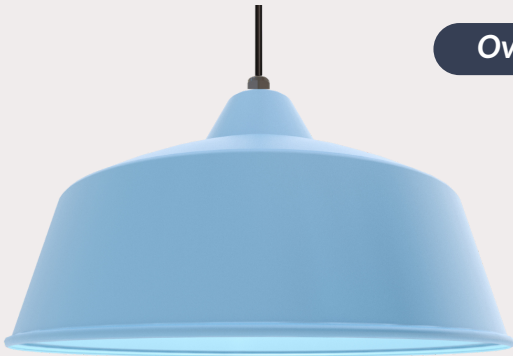
Lamp Types: INC, LED (LVE, LVF, LVX, LAC)



Oversized Shades - BB

Cat.#	Max Watt	Dia	Ht
BB24	300W	24"	8"
BB36	300W	36"	12"

Lamp Types: INC, LED (LVE, LVF, LVX, LAC, LAH)



Oversized Shades - BA

Cat.#	Max Watt	Dia	Ht
BA24	300W	24"	14"
BA36	300W	36"	20 $\frac{3}{8}$ "
BA42	300W	42"	24"

Lamp Types: INC, LED (LVE, LVF, LVX, LAC, LAH)



Oversized Shades - Downlight Reflector

Cat.#	Max Watt	Dia	Ht
930DL	300W	30"	0"
938DL	300W	38"	28 $\frac{1}{2}$ "

Lamp Types: INC, LED (LVE, LVF, LVX, LAC, LAH)



Oversized Shades - Step Neck Dome

Cat.#	Max Watt	Dia	Ht
SN536	300W	36"	21 $\frac{1}{2}$ "
SN540	300W	40"	24"

Lamp Types: INC, LED (LVE, LVF, LVX, LAC, LAH)



Fixture—Oversized Shades BA



76HC

Cat.#	Max Watt	Dia	Ht
76HC	100W	14½"	8"

Lamp Types: INC, LED (LVE, LVF, LVX, LAC)

Our Décor RLM Collection blends classic lighting design with a modern touch.

The reflectors are crafted to feel fresh and versatile—smoother, more minimalist, and sometimes a bit more playful—while still delivering the same reliable, performance, and quality as the original RLM fixtures.



Galvanized RLM Reflectors

The Bock RLM Series reflectors are available in a **hot-dipped galvanized finish**. This shiny, spangled surface, created by dipping the reflectors in a hot zinc bath, offers a dramatic accent, as well as, a protective layer against corrosion and increases fixture durability. There are four (4) shapes available in a galvanized finish.



Radial Wave

Cat.#	Max Watt	Dia	Ht
RW16GV	100W	16"	6 ¾"
RW20GV	150W	20"	7"

Lamp Types: INC, LED (LVE, LVF, LVX, LAC)

Step Neck Angle

Cat.#	Max Watt	Dia	Ht
SN608GV	100W	8"	9 ½"
SN610GV	150W	10"	12"
SN612GV	150W	12"	14 ¼"
SN614GV	150W	14"	15"

Lamp Types: INC, LED (LVE, LVF, LVX, LAC)

Step Neck Deep Bowl / Downlight

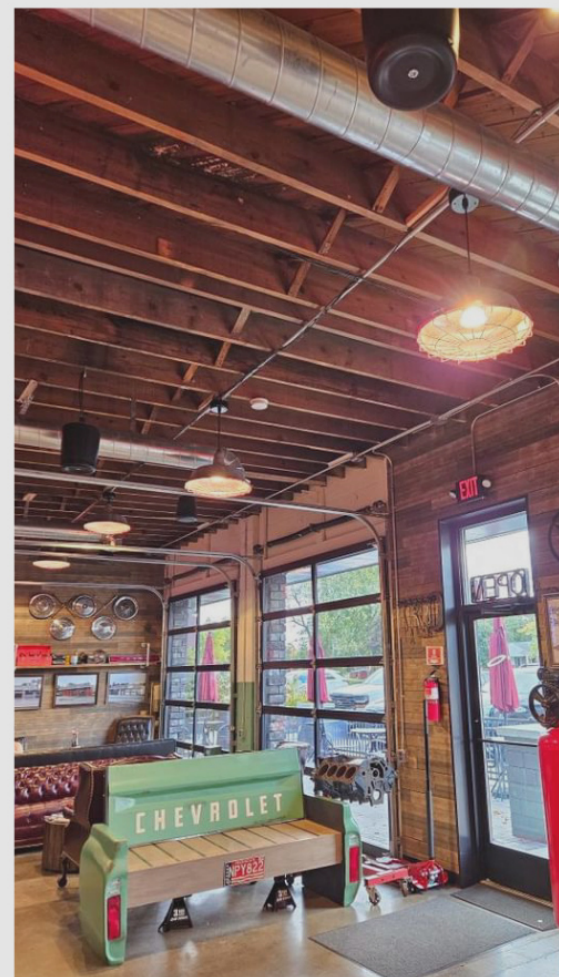
Cat.#	Max Watt	Dia	Ht
SN908GV	100W	8"	7"
SN910GV	150W	10"	9"
SN912GV	150W	12"	11"
918DLGV	150W	18"	17 ¾"

Lamp Types: INC, LED (LVE, LVF, LVX, LAC, LAH)

Step Neck Dome

Cat.#	Max Watt	Dia	Ht
SN512GV	100W	12"	9"
SN514GV	150W	14"	9"
SN516GV	150W	16"	10 ½"
SN518GV	150W	18"	11 ½"

Lamp Types: INC, LED (LVE, LVF, LVX, LAC, LAH)

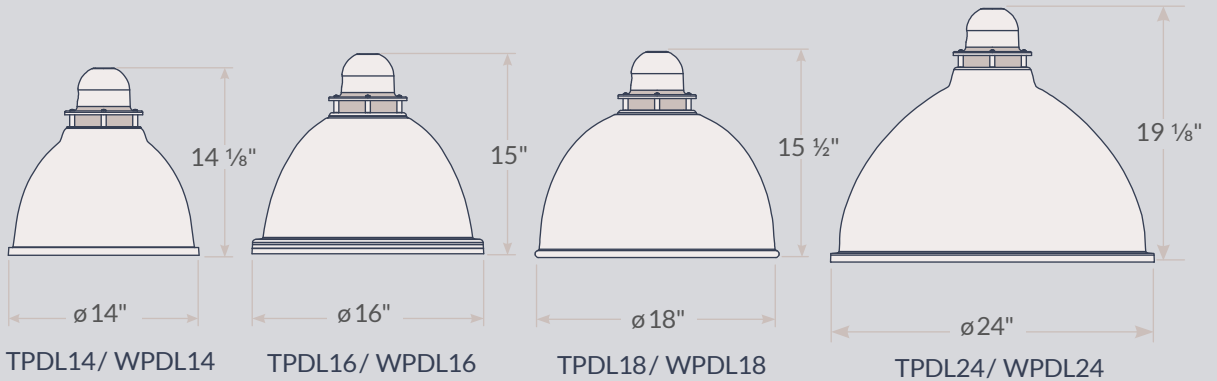


Metro Series

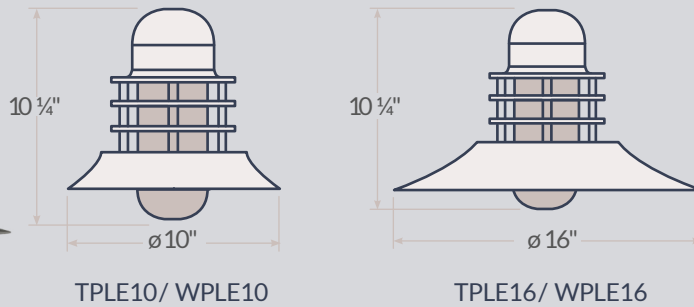
A contemporary fixture design which accentuates modern architectural schemes. The Metro Series offers a wide variety of light sources, sizes and finishes ensuring the specifier a design choice that will reflect their theme.



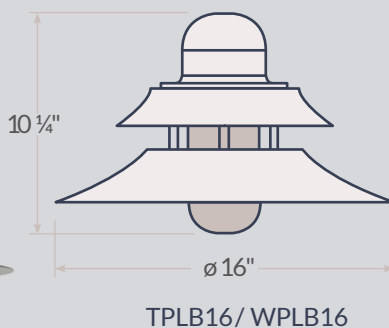
PDL



PLE

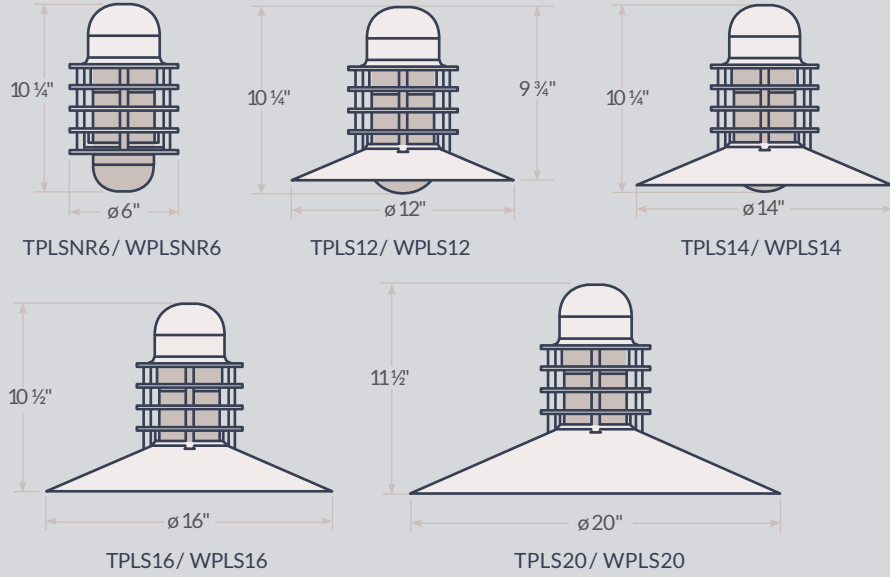


PLB

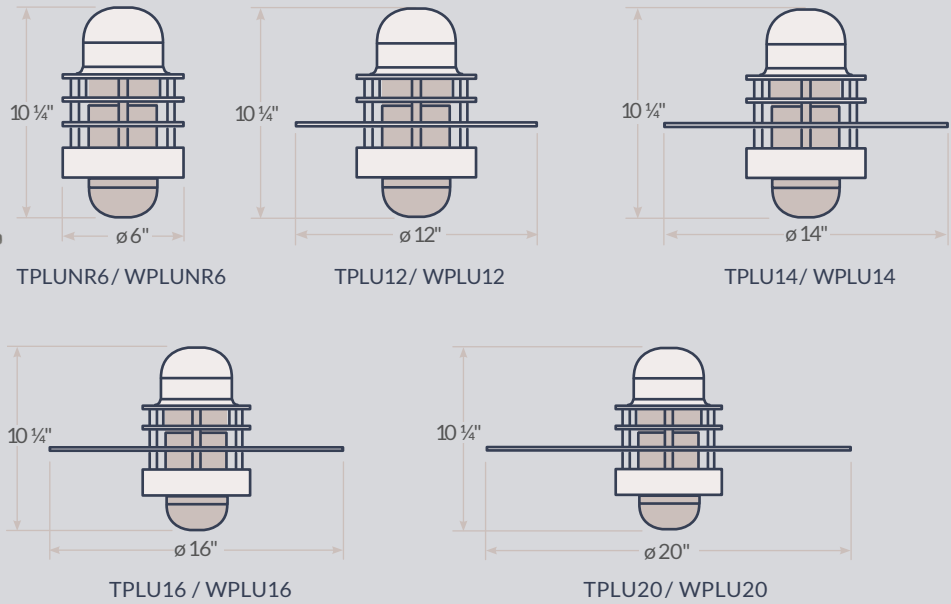


Metro Series

PLS



PLU



MOUNTING

Fixtures may be top or side-mounted and are compatible with all 3/4" Bock goose neck, wall, or pole-top brackets. Custom mounting options are available.



LAMP TYPE

Compatible with a variety of lamp types and light sources, including: INC, LED (LVE, LVF, LVX) Drivers/ballasts are remotely mounted.

HOUSING

Heavy gauge spun aluminum.

GLASS GLOBE

41 style glass globe required.
Complete 41 globe offering can be found on page 41.





Standard Powder Coat Colors

What is Powder Coating?

Powder coating is the process of coating a surface in which a powder is electrically charged to metal. The applied powder is then heated (cured) to its melting point. It flows to form a smooth film which cools to a firm, durable finish very resistant to scratches, cracking, peeling, UV rays, and rust.



NEW Standard Finishes - Earth Palette!

These warm muted colors are inspired by the Earth's natural hues! This new standard palette conveys warmth and comfort. Perfect for your next design project, these Earth tones can be used in rustic & traditional projects but can also be integrated into modern & minimalist designs!



TRIM FINISH

Add a trim color to the rim of the RLM shade.

-trWH = White Trim

-trBK = Black Trim



The printed color samples shown are subject to various effects of printing and may vary slightly from the actual painted product.

Color swatches available upon request.

BUILDING PART EXAMPLE: 516-G1-trBK

Lamp Type

Selecting the proper light source for your RLM is key. Bock offers many different light source options to meet your project's needs. The classic medium base socket is standard on all RLMs. We use the highest quality two piece glazed porcelain socket, that will last for decades to come. We also offer the latest in LED technology with a vast selection of light outputs and color temperature.

SOCKETS

MED5 Medium Base Socket, Heavy duty porcelain with spring loaded center contact and lamp grip screwshell.

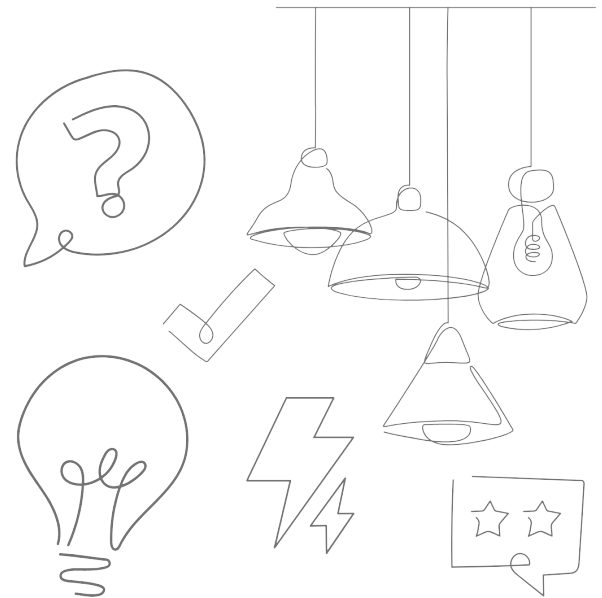
GU24 Lamp Socket with Snap-In Clip and 18in.

Specialty - Special, international & legacy sockets types.

MOG6 Mogul Base Socket, Heavy duty porcelain with spring loaded center contact and lamp grip screwshell.

GX24Q GX24q-3 Lamp Base 4-Pin Screw-Down.

LVET LED module meets the Florida Wildlife Turtle Standards. 20W UNV Turtle Safe LED.



LED MODULES

We provide a wide range of LED modules to fit all application needs, from high-output performance to decorative options with a Jelly Jar. Our selection includes solutions for both indoor and outdoor applications. By partnering with leading LED and driver manufacturers, we deliver efficient, long-lasting, and high-quality lighting. Our LED offering is continually updated. For the latest options, please visit www.BockLighting.com/LED.

LVF

FEATURES	
LED	Bridgelux Vero SE 18 Series
LUMEN	1250(10W), 1500(12W), 1700(14W), 2000(17W)
KELVIN	27, 30, 35, 40, 50K Standard
CRI	90CRI
DRIVER	AC Electronics, 120/277V, 0-10V Dimming down to 5%
DIMMING	0-10V, 5% - When Requested
VOLTAGE	120 - 277VAC
INSTALL	Driver goes inside jbox
CERTIFICATION	cULus - Fixture manufactured to UL Standards 1598 & 8750



LVX**FEATURES**

LED	Bridgelux Vero SE 18 Series
LUMEN	1250(10W), 1500(12W), 1700(14W), 2000(17W)
KELVIN	27, 30, 35,40, 50K Standard
CRI	90CRI
DRIVER	AC Electronics, 120/277V, 0-10V Dimming down to 5%
DIMMING	0-10V, 5% - When Requested
VOLTAGE	120 - 277VAC
INSTALL	Driver goes inside fixture
CERTIFICATION	cULus - Fixture manufactured to UL Standards 1598 & 8750

**LVE****FEATURES**

LED	Bridgelux Vero SE 18 Series
LUMEN	1700(14W), 2000(16W), 2500(21W), 3000(26W)
KELVIN	27, 30, 35, 40, 50K Standard
CRI	90CRI
DRIVER	ERP PSB Series, 120/277V, 0-10V Dimming down to 1%
DIMMING	0-10V, 1% - When Requested
VOLTAGE	120 - 277VAC
CERTIFICATION	cULus

**LVET****FEATURES**

LED	UNV Turtle Safe LED.
LUMEN	20W
NANOMETER	Wavelength560nm
CRI	N/A
DRIVER	ERP PSB Driver
DIMMING	0-10V Dimming
VOLTAGE	120-277V
CERTIFICATION	cULus, Florida Wildlife Turtle Standards.



Lamp Type

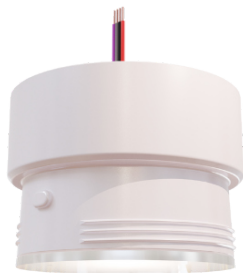
LAC

FEATURES		
TYPE	LAC02 - 23W	LAC03 - 23W
LUMEN	1500, 1850, or 2400LM	1650, 2050, or 2750LM
KELVIN	3000, 3500, 4000, 5000K	2700, 3000, 3500, 4000, 5000K
CRI	80CRI	90CRI
JELLY JAR	41 Glass Jar Compatible	
GUARD	Compatible with 31DCG Cast Guard and 31 Wireguard	
DIMMING	0-10V Down to 10%	
VOLTAGE	120-277V 50/60Hz	
COLOR	White	
CERTIFICATION	cULus	
Indoor/Outdoor compatible		
Fits in fixtures 12in and larger		

LAH

FEATURES		
TYPE	LAH01 - 23W	LAH02 - 43W
LUMEN	3000, 4000, or 5000LM	3300, 4100, or 5250LM
KELVIN	3000, 3500, 4000, 5000K	2700, 3000, 3500, 4000, 5000K
CRI	80CRI	90CRI
JELLY JAR	42 Glass Jar Compatible	
GUARD	Compatible with 32DCG Cast Guard and 32 Wireguard	
DIMMING	0-10V Down to 10%	
VOLTAGE	120-277V 50/60Hz	
COLOR	White	
CERTIFICATION	cULus	
Indoor/Outdoor compatible		
Fits in fixtures 16in and larger		

LAC



LAH



COLOR
TEMPERATURE
CONTROL



INDOOR OR
OUTDOOR
COMPATIBLE



DECORATIVE,
STYLISH AND
CUSTOMIZABLE



LISTED
CULUS
CERTIFICATION



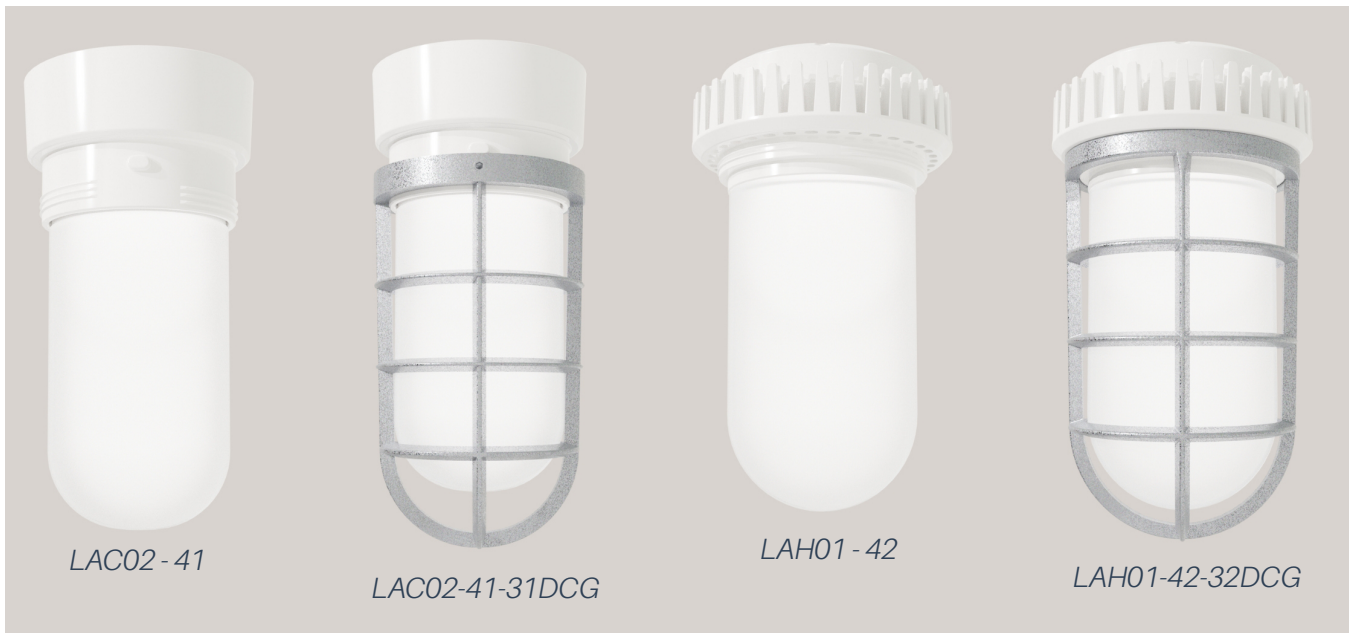
- Efficiency and durability
- Safety from electrical hazard
- Rust and corrosion protection
- Chip resistant
- Reduction of light loss
- Easy re-lamping
- Low cost installation
- Exceptionally low maintenance cost
- High light output efficiency
- Quality construction
- Shielding from glare
- Seeing comfort
- Balanced lighting



LAC01 - Dome Lens



LAC02 - Dome Lens



LAC02 - 41

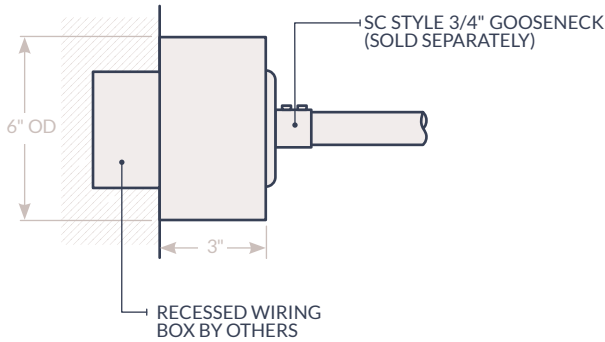
LAC02-41-31DCG

LAH01 - 42

LAH01-42-32DCG

Driver/Ballast Enclosures

BCW6

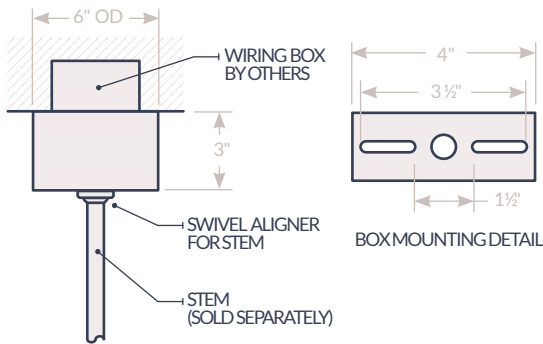


"SC" GOOSENECKS

- > For use only with "SC" style gooseneck brackets.
- > For use with LED drivers.
- > Finished in polyester powder coat.
- > Mounts to recessed wiring box. (Box by others.)
- > cULus Listed for Wet Locations.

Building Part: BCW6-Finish

BCC6A

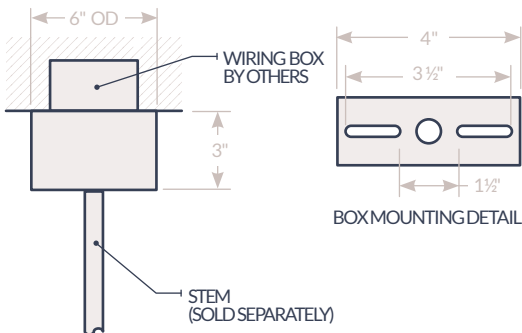


SWIVEL MOUNT STEM CANOPY

- > For use only with 1/2" or 3/4" stem mounted fixtures. Stem sold separately.
- > 45° angle is the maximum slope.
- > For use with LED drivers.
- > Finished powder coat.
- > Mounts to recessed wiring box. (Box by others.)
- > cULus Listed for Damp Locations.

Building Part: BCC6A-Thread Size-Finish

BCC6S

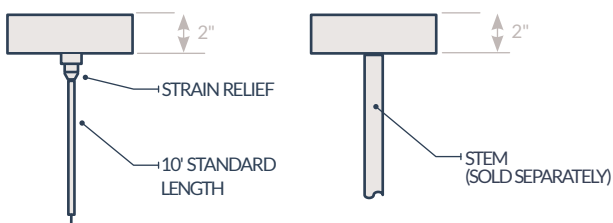


RIGID MOUNT STEM CANOPY

- > For use only with 1/2" or 3/4" stem mounted fixtures. Stem sold separately.
- > For use with LED drivers.
- > Finished in polyester powder coat.
- > Mounts to recessed wiring box. (Box by others.)
- > cULus Listed for Damp Locations.

Building Part: BCC6S-Thread Size-Finish

BDC6C



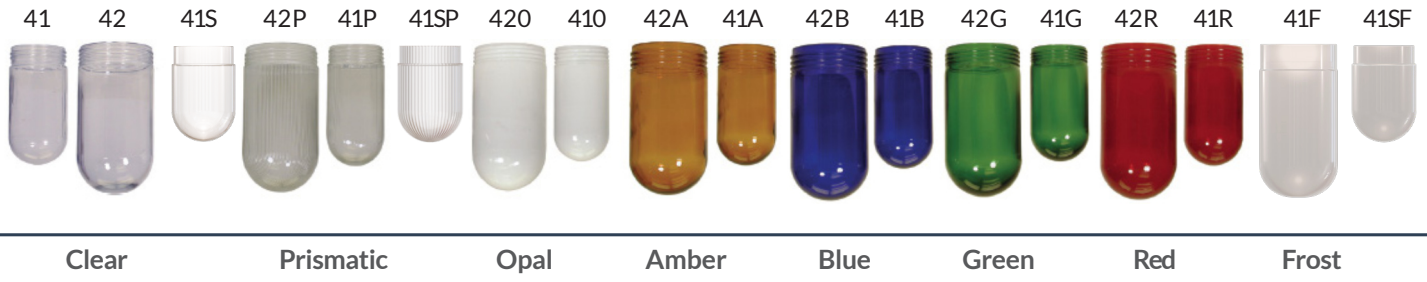
LOW PROFILE CORD & STEM CANOPY

- > For use with Compact Form LED Drivers.
- > Finished powder coat.
- > Mounts to recessed wiring box. (Box by others.)
- > cULus Listed for Damp Locations.

Building Part: BCC6C-CordColor-Finish

Some RLM Series reflectors may require an enclosure around the lamp or light source for aesthetics, utility, or safety. Bock Lighting offers several styles and colors of enclosures, including globes, jelly jars, wire guards, and die cast aluminum guards.

Glass Globes



Lexan Globes



Colors available for signaling or decorative applications. Mix colored globes with RLMs fixture finishes for unique color combinations. Lexan globes are made of UV protected polycarbonate.

*Polycarbonate enclosures are not compatible with die cast guards***

Ball Globes



Sizes: 6", 8" and 10"
Colors: White Smoky/White/Frosted/Clear Glass
Max Wattage: 100w

AG10



Sizes: 6"
Colors: Opal Glass
Max Wattage: 75w

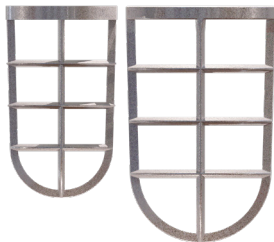
GG6

*Not compatible with cast guards***

MAXIMUM WATTAGE	MEDIUM BASE (W)		LED (W)		GU24 (W)	
	41 GLOBE	42 GLOBE	41 GLOBE	42 GLOBE	41 GLOBE	42 GLOBE
Clear or Prismatic Glass	150	300	16	16	15	26
Colored Glass	100	200	16	16	15	26
Clear or Prismatic Lexan	75	150	16	16	15	26
Colored Lexan	60	75	16	16	15	26

Guards

DIE CAST GUARD



31DCG 32DCG

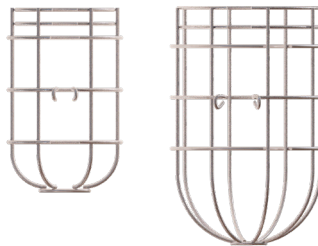
SMALL

Width: 4.2in
Height: 7.3in

LARGE

Width: 5.7in
Height: 9in

WIRE GUARD



31WG

32WG

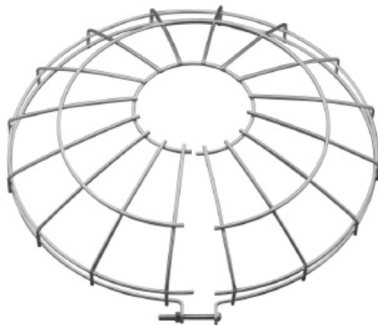
SMALL

Width: 4.1in
Height: 7in

LARGE

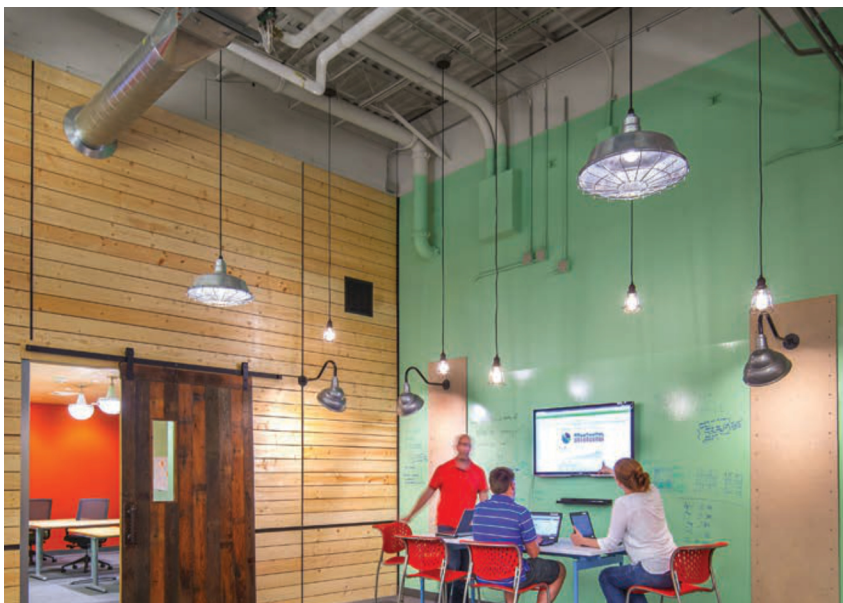
Width: 5.8in
Height: 9.1in

REFLECTOR WIRE GUARD



Cat. #	Compatible with	Dia.	Depth
108AR	SN608, 6208, SN908	8"	2"
110AR	110B, SN610, 6210, SN910	10"	2"
112AR	312OB, 412, 512, SN612, 6212, SN912	12"	2"
113AR	6214	13"	2"
114AR	314OB, 414, 514, SN514, SN614, 914DL	14"	2 ½"
115AR	116B	15"	2 ½"
116AR	316OB, 416, 516, SN516, 516B	16"	2 ½"
118AR	518, SN518	18"	3"
120AR	120B, 520, 520B, SN520	20"	3"
4GR16	916DL, 916B	17"	2 ½"
4GR18	918DL, 918UL	19"	3"
4GR24	SN524, 924DL	24"	3"

Standard finish is bright zinc or powder coating.



Mounting

Canopies

630S-50 CANOPY



Stem mounting available for 1/2" N.P.T. pipe. Canopy is held in place with a slip ring. Canopy is 5 5/8" Dia. x 1" deep. Kit for mounting to 4" octagon box included. To order stems see below. Reflectors ordered with stems and canopies are factory wired and are suitable for damp location. Be sure thread sizes of canopy, stem and reflector hub all match.

NOTE: If installed outdoors use a thread sealant on all threads.

630S-50 = 1/2" NPT Canopy

Building Part: 630S-50-NPT-Color

630S-75 CANOPY



Stem aligner is 5 5/8" Dia. x 1" deep. Self aligning aluminum die cast aligner fits 4" octagon box or Bock cast boxes and accommodate 3/4" N.P.T. pipe. Maximum travel 45°. Be sure thread size of canopy, stem and reflector hub all match.

NOTE: If installed outdoors use a thread sealant on all threads.

630S-75 = 3/4" NPT Canopy with Aligner

Building Part: 630S-75-NPT-Color

Stems

Pipe 1/2" or 3/4" threaded N.P.T. both ends.

Stem Length	Cat.# Stem Size	
	1/2" Pipe	3/4" Pipe
12"	ST2-12	ST3-12
24"	ST2-24	ST3-24
36"	ST2-36	ST3-36
48"	ST2-48	ST3-48
60"	ST2-60	ST3-60
72"	ST2-72	ST3-72
96"	ST2-96	ST3-96

Additional lengths available on request, Consult Factory. If installed outdoors use a thread sealant on all threads. Be sure thread size of reflector and stem both match.

Building Part: Thread Size-Stem Length-Color



Mounting Types

Cords

630C



Cord suspension with canopy permanently attached with 2 mounting screws. Supplied with 10' of 18 gauge cord. Canopy is 4.5" Dia. x 0.375" deep. Kit for mounting to 4" octagon box and SRW strain relief included.

Building Part: 630C-Color-Cord Color

630C-1AC



Cord suspension with canopy permanently attached with 2 mounting screws. Supplied with 10' of 18 gauge cord. Canopy is 4.5" Dia. x 0.375" deep. Kit for mounting to 4" octagon box and SRW strain relief included.

Building Part: 630C-1AC-Color-Cord Color

630C-3AC



Cord suspension with canopy permanently attached with 2 mounting screws. Supplied with 10' of 18 gauge cord. Canopy is 4.5" Dia. x 0.375" deep. Kit for mounting to 4" octagon box and SRW strain relief included. Designed to accommodate up to three aircraft cables, providing secure suspension for our heaviest fixtures.

Building Part: 630C-3AC-Color-Cord Color



Chain

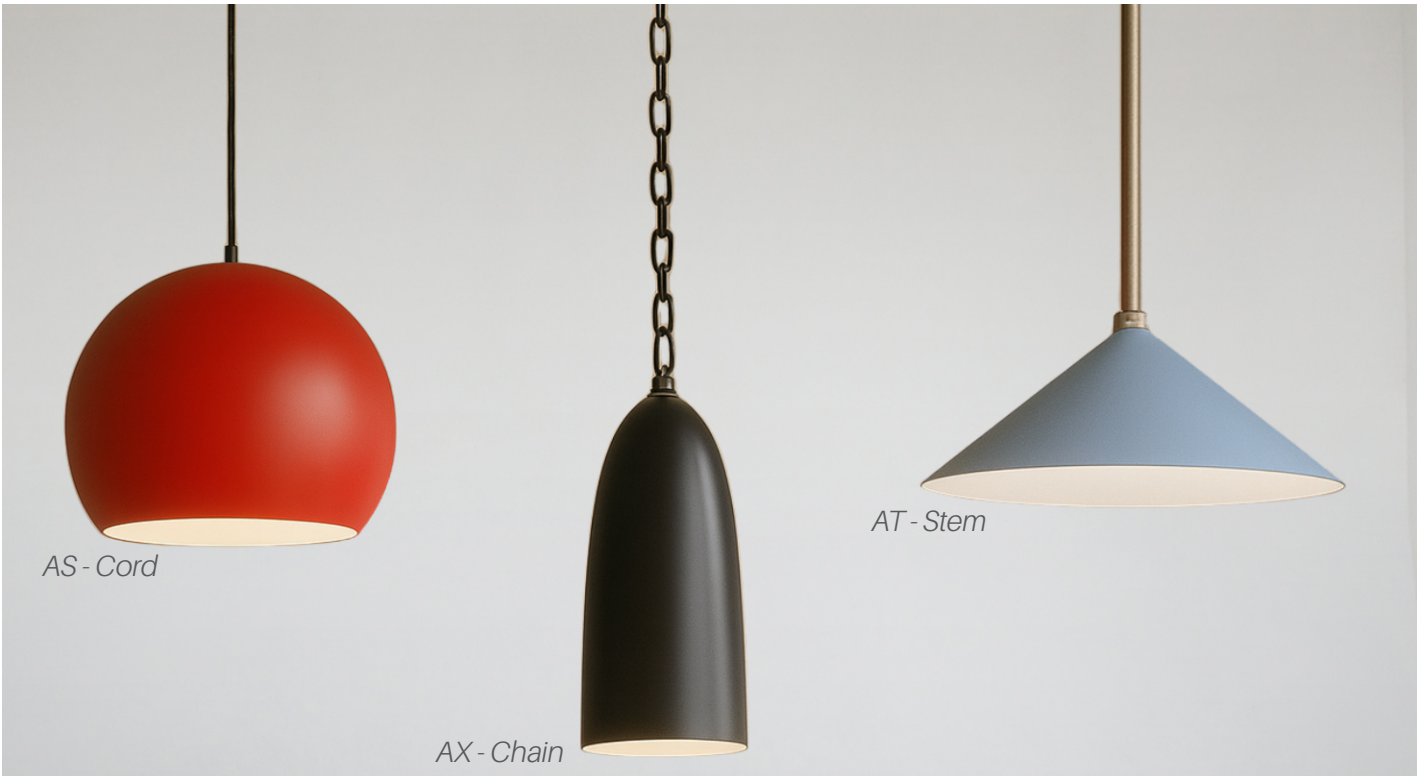
CHN-8FT



Chain suspension with canopy supplied with 10' of 18 gauge 3 conductor cord and chain. Canopy is 5 5/8" Dia. x 1" deep. Kit for mounting to 4" octagon box.

Chain Finishes: Brass, Silver
Chain Size: 8ft or 16ft

Building Part: CHN-8FT-Chain Finish-Canopy Finish-
Cord Color



Cloth Cords Colors



The printed color samples shown are subject to various effects of printing and may vary slightly from the actual painted product. Color swatches available upon request.

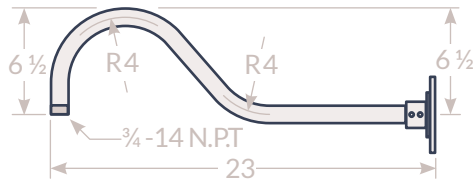
Mounting Gooseneck

Gooseneck Pipe Brackets

For Outlet Box and Wall Mounting

Gooseneck Brackets made of 3/4" schedule 40 aluminum tubing threaded 3/4-14 N.P.T. on fixture end. These brackets are designed for recessed box or surface outlet box mounting. The bracket end slips into cast box cover plate (wall end is unthreaded). The pipe may be cut down, in the field, to shorten bracket length. RLMs supplied with these brackets are Underwriters Laboratories Inc.® Listed for Wet Locations provided they are installed in accordance with local and national codes. If installed outdoors use a thread sealant on fixture end threads to prevent water entry.

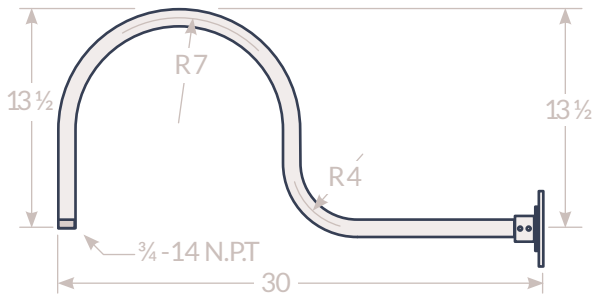
SC-GN23A



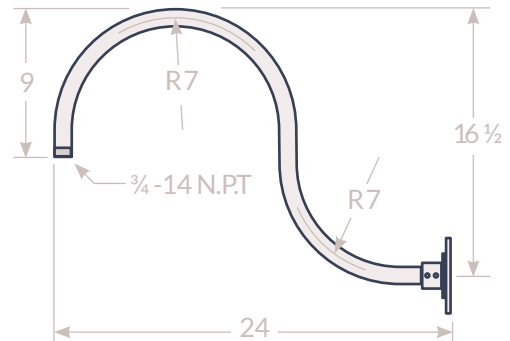
SC-GN48B



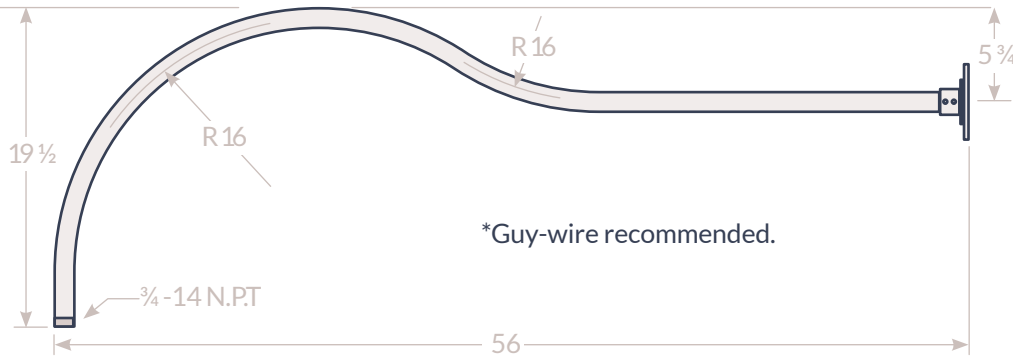
SC-GN30C



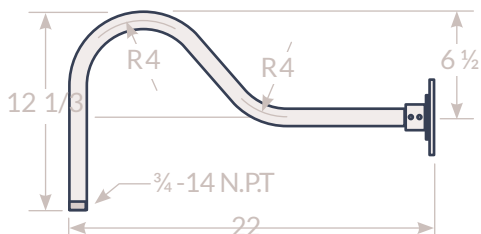
SC-GN24D



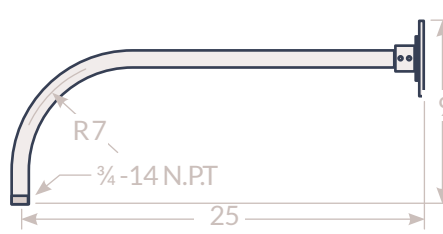
SC-GN56F



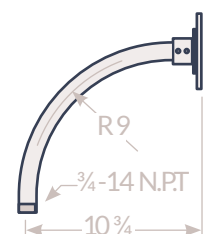
SC-GN22H



SC-GN25J

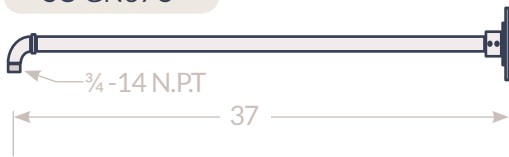


SC-GN10K



Mounting Types

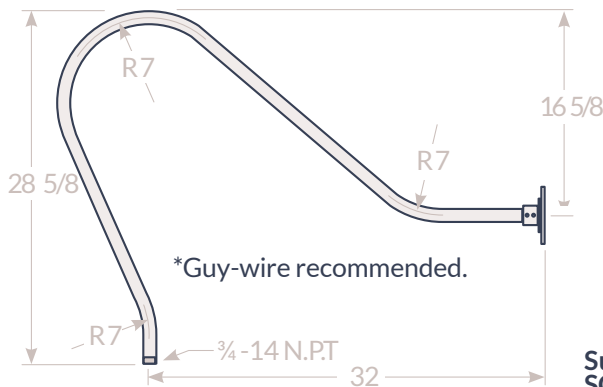
SC-GN37U



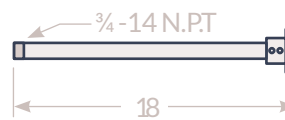
SC-GN41P



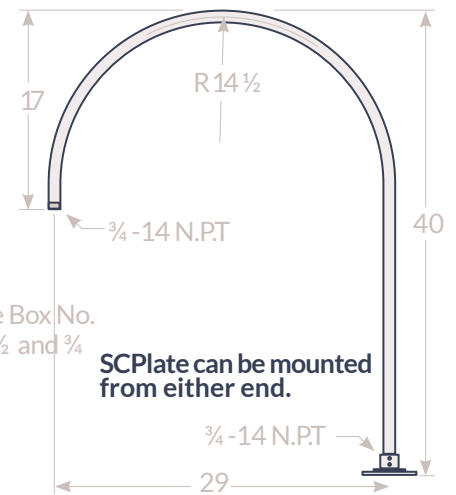
SC-GN32G



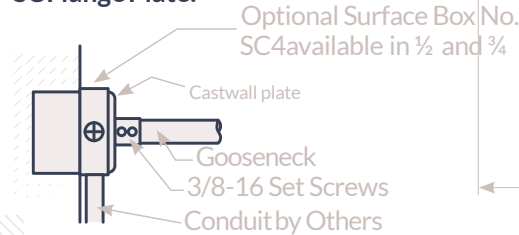
SC-GN18I



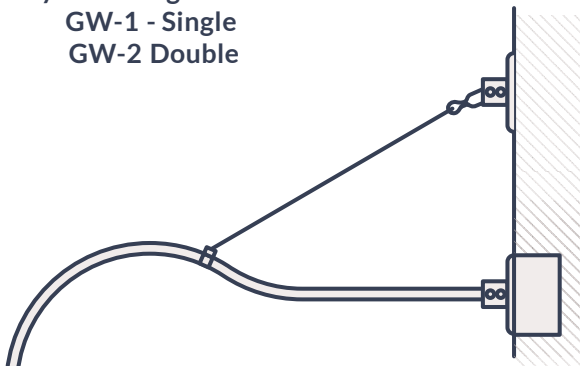
SC-GN40E



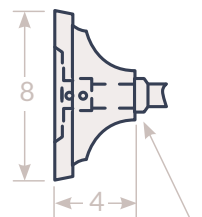
Surface box mounting of SC Flange Plate.



Guy wire for gooseneck
GW-1 - Single
GW-2 Double

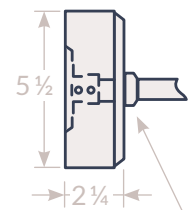


Optional HMTG canopy



Slip Ring With Set Screw

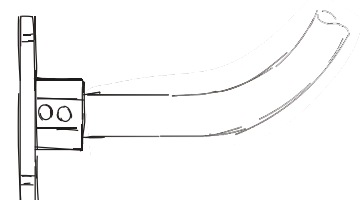
Optional SCDCF canopy



Slip Ring With Set Screw

Don't see the Gooseneck you need?

We have a larger selection of goosenecks on our website. Bock fabricates goosenecks in house and can make the gooseneck to your applications needs. Just send us a sketch of what you are looking for and we'll fabricate it to your needs.

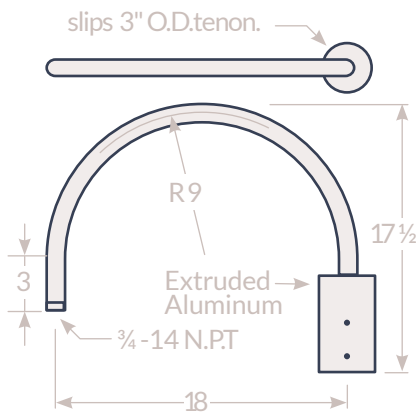


Gooseneck Pipe Brackets

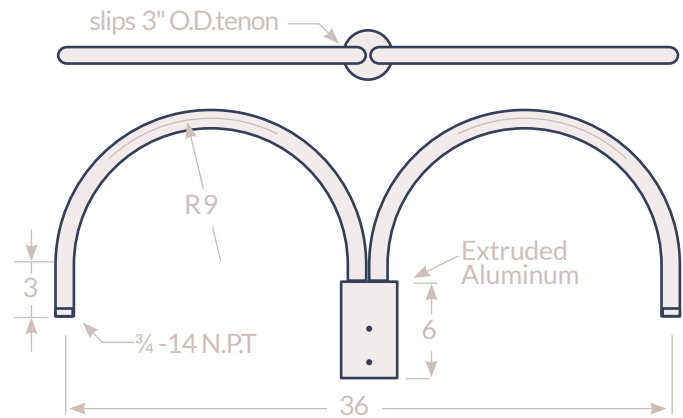
For Pole Top and Wall Mounting

Pipe made of 3/4" schedule 40 aluminum tubing threaded N.P.T. on fixture end. Slipfitter supplied with 3/8-16 Stainless Steel set screws and will fit 3" O.D. tenon. The aluminum scroll, if furnished, is attached to both the pipe and fitter portions of the bracket. Wall brackets are designed for a recessed outlet box. Surface conduit boxes are available. RLMs supplied with these brackets are Underwriter's Laboratories Inc.® Listed "Suitable for Wet Locations" provided they are installed in accordance with local and national codes. If installed outdoors use a thread sealant on fixture end threads to prevent water entry.

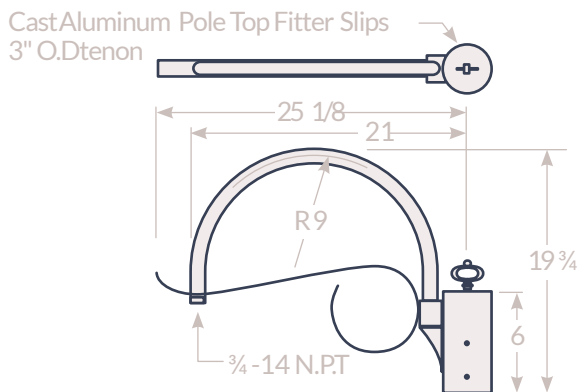
PT-1



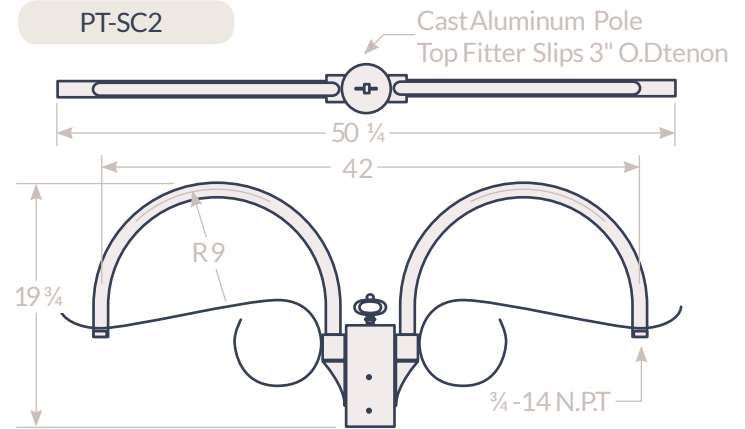
PT-2



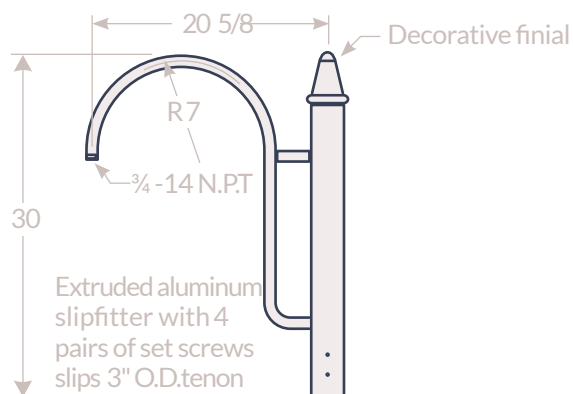
PT-SC1



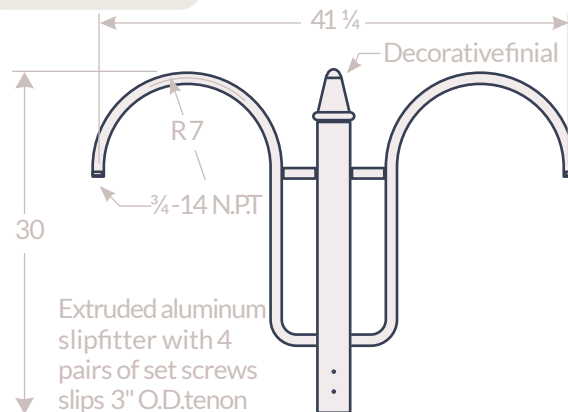
PT-SC2



PT-GN1

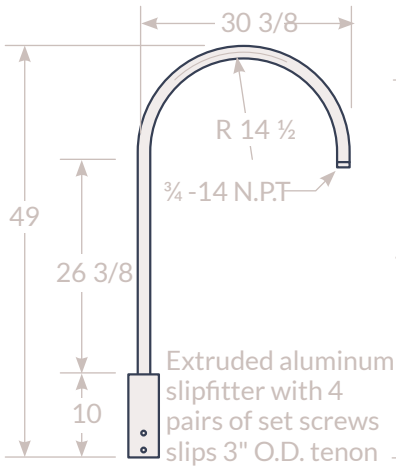


PT-GN2

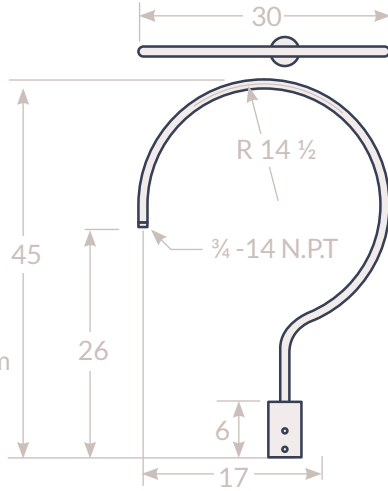


Mounting Types

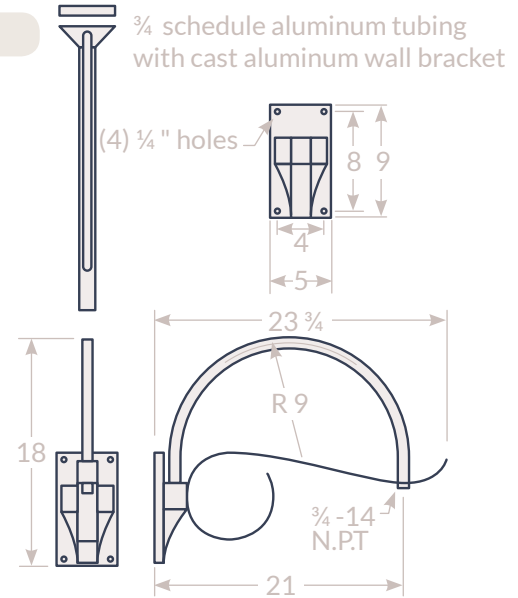
PT-CC1



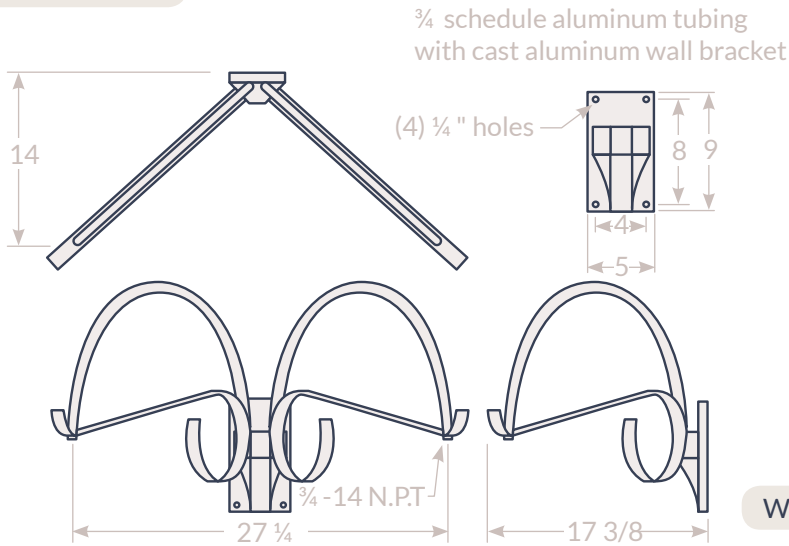
PT-SHC1



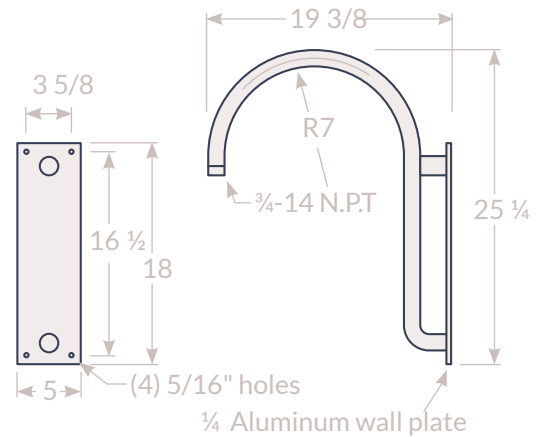
WB-SC1



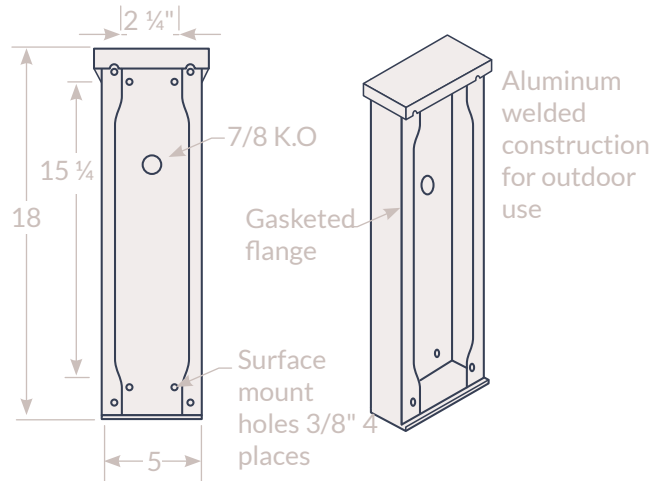
WB-SC2



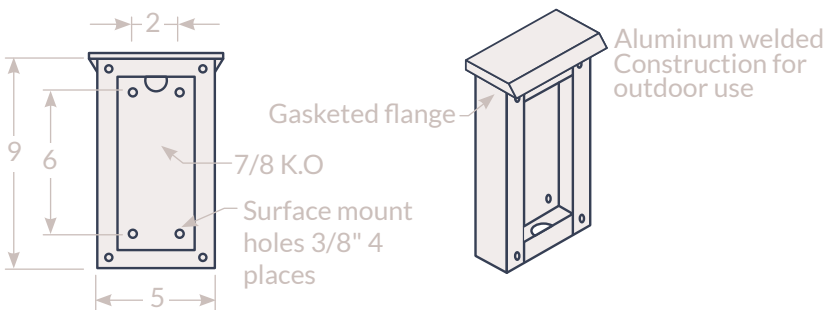
WB-GN1



WB-G-BX Back Box



WB-S-BX Back Box





OCPlate

Mount RLM Shade Directly to junction box.



DCMH

Direct Canopy Mount with Hex

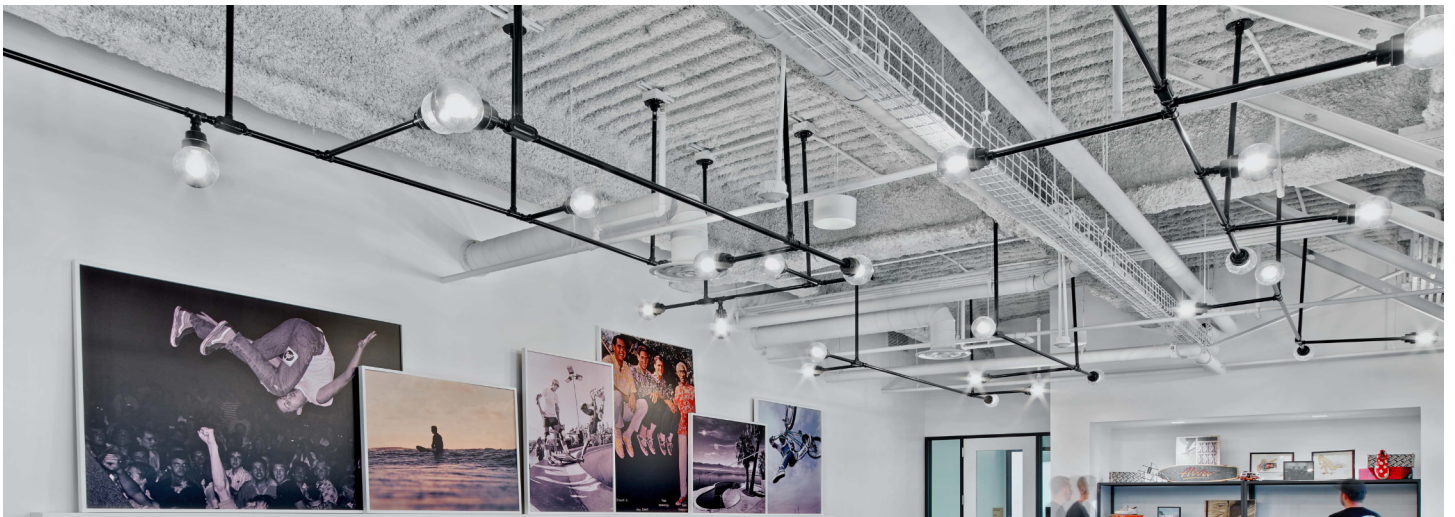


Catenary

Use RLM Shades in Catenary applications.

Custom Mounting Options

Bock Lighting now offers custom mounting services that will create a solution to address the unusual needs of a project space or achieve the distinctive vision of a designer or owner. Let the Bock team dedicate their insight, experience, and manufacturing resources to overcoming project challenges and transforming dreams into reality.

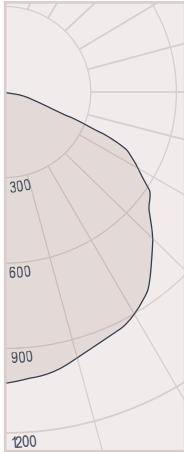


Photometric and Application Data

DOMES

516

200W A-25 InsideFrosted
3640 Lumens - Spac.Crit.=1.0



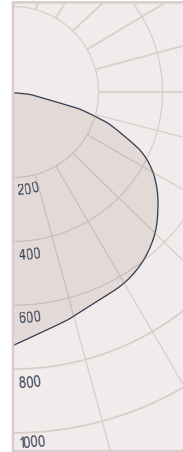
Ang.	CP	Lum.	Zone	Lumens	% Lamp
0	1026		0-30	801	22.0
5	1010	97	0-60	2451	67.3
15	971	275	0-90	3011	82.7
25	930	429	90-180	0	0.0
35	866	539	0-180	3011	82.7
45	731	565			
55	620	546			
65	452	409			
75	98	125			
85	15	26			
90	0	0			
95	0	0			
105	0	0			
115	0	0			
125	0	0			
135	0	0			
145	0	0			
155	0	0			
165	0	0			
175	0	0			
180	0	0			

Rf	Rc	Rw	RCR	20	50	10	0				
0	80	70	50	30	10	50	30	10	0		
0	98	98	98	98	92	92	92	84	84	84	83
1	90	87	83	80	81	79	77	75	74	72	70
2	82	76	70	66	71	67	63	66	63	61	59
3	75	66	60	55	63	57	53	58	55	51	49
4	69	59	52	46	56	50	45	52	47	44	42
5	63	52	45	39	50	43	39	46	42	38	36
6	58	47	40	34	45	38	34	42	37	33	31
7	54	42	35	30	41	34	30	38	33	29	28
8	50	39	32	27	37	31	26	35	30	26	25
9	47	35	29	24	34	28	24	32	27	24	22
10	44	33	26	22	31	26	21	30	25	21	20

SHALLOW DOME

414

150W A-21 Inside Frosted
2850 Lumens - Spac.Crit.=1.8



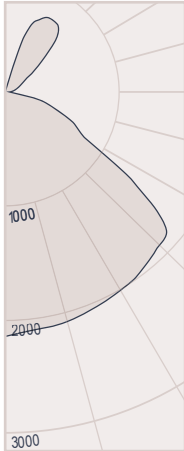
Ang.	CP	Lum.	Zone	Lumens	% Lamp
0	716		0-30	542	19.0
5	686	66	0-60	1798	63.0
15	653	185	0-90	2439	85.5
25	629	291	90-180	5	.1
35	610	381	0-180	2444	85.7
45	561	434			
55	493	441			
65	397	387			
75	215	218			
85	23	36			
90	5	5			
95	0	5			
105	0	0			
115	0	0			
125	0	0			
135	0	0			
145	0	0			
155	0	0			
165	0	0			
175	0	0			
180	0	0			

Rf	Rc	Rw	RCR	20	50	10	0				
0	80	70	50	30	10	50	30	10	0		
0	102	102	102	95	95	95	95	87	87	87	86
1	93	88	84	81	83	80	77	76	74	72	70
2	83	76	70	64	71	66	62	65	62	59	57
3	75	66	58	52	62	56	51	57	53	49	47
4	69	58	50	43	54	48	42	50	45	41	39
5	63	51	43	37	48	41	36	45	39	35	33
6	58	46	37	32	43	36	31	40	35	31	29
7	54	41	33	28	39	32	27	36	31	27	25
8	49	37	30	24	35	29	24	33	28	24	22
9	46	34	27	22	32	26	22	31	25	21	20
10	43	24	20	20	30	24	19	28	23	19	18

18" UPLIGHT

918-UL

500W PS-35 InsideFrosted
10850 Lumens - Spac.Crit.=1.4



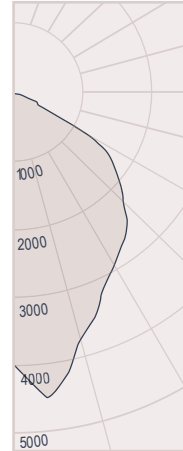
Ang.	CP	Lum.	Zone	Lumens	% Lamp
0	2142		0-30	1736	16.0
5	2106	202	0-60	5683	52.3
15	2088	591	0-90	6931	63.8
25	2034	943	90-180	1827	16.8
35	1989	1247	0-180	8758	80.7
45	1908	1472			
55	1393	1228			
65	688	681			
75	391	412			
85	139	155			
90	38	39			
95	22	39			
105	91	95			
115	142	143			
125	240	238			
135	605	456			
145	765	477			
155	707	322			
165	62	54			
175	34	3			
180	27	3			

Rf	Rc	Rw	RCR	20	50	10	0				
0	80	70	50	30	10	50	30	10	0		
0	92	92	92	92	80	80	80	67	67	67	64
1	84	80	77	74	70	68	66	59	58	56	54
2	77	70	65	60	62	58	55	52	49	47	45
3	70	62	55	50	54	50	46	46	43	40	38
4	64	54	48	42	48	43	39	41	37	34	32
5	58	48	41	36	43	37	33	36	33	30	28
6	54	43	36	31	39	33	29	33	29	26	24
7	50	39	32	27	35	29	25	30	26	23	21
8	46	35	29	24	32	26	22	27	23	20	19
9	43	32	26	22	29	24	20	25	21	18	17
10	40	30	23	19	27	22	18	23	19	16	15

18" DOWNLIGHT

918-DL

500W PS-35 InsideFrosted
10850 Lumens - Spac.Crit.=1.0



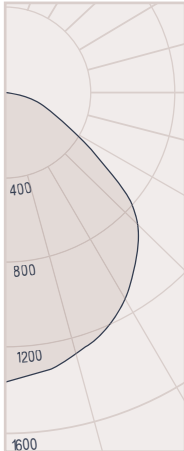
Ang.	CP	Lum.	Zone	Lumens	% Lamp
0	3985		0-30	2963	27.3
5	4483	411	0-60	8058	74.2
15	3752	1081	0-90	9055	83.4
25	3144	1471	90-180	0	0.0
35	2745	1731	0-180	9055	83.4
45	2291	1787			
55	1771	1577			
65	462	682			
75	200	246			
85	59	70			
90	0	0			
95	0	0			
105	0	0			
115	0	0			
125	0	0			
135	0	0			
145	0	0			
155	0	0			
165	0	0			
175	0	0			
180	0	0			

Rf	Rc	Rw	RCR	20	50	10	0				
0	80	70	50	30	10	50	30	10	0		
0	99	99	99	99	93	93	93	85	85	85	83
1	92	89	86	83	83	81	79	77	76	74	73
2	85	79	74	69	74	70	67	69	66	64	62
3	78	70	64	59	66	61	57	62	58	55	54
4	72	63	56	51	59	54	50	56	52	48	47
5	66	56	49	44	54	48	43	51	46	43	41
6	61	51	44	39	49	43	38	46	41	38	36
7	57	46	39	35	44	39	34	42	37	34	32
8	53	42	36	31	41	35	31	39	34	30	29
9	50	39	32	28	38	32	28	36	31	28	26
10	47	36	30	26	35	29	25	33	29	25	24

DEEP BOWL

912

200W A-21 Inside Frosted
4010 Lumens - Spac.Crit.=1.0



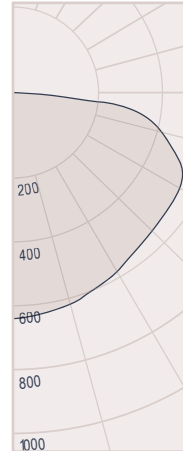
Ang.	CP	Lum.	Zone	Lumens	% Lamp
0	1357		0-30	1736	16.0
5	1331	127	0-60	5683	52.3
15	1268	360	0-90	6931	63.8
25	1181	546	90-180	1827	16.8
35	1043	653	0-180	8758	80.7
45	883	670			
55	515	478			
65	263	271			
75	139	148			
85	38	43			
90	0	0			
95	0	0			
105	0	0			
115	0	0			
125	0	0			
135	0	0			
145	0	0			
155	0	0			
165	0	0			
175	0	0			
180	0	0			

Rf	Rc	Rw	RCR	20	50	10	0				
0	80	70	50	30	10	50	30	10	0		
0	98	98	98	98	91	91	91	84	84	84	82
1	90	87	84	81	81	79	77	75	74	72	71
2	83	77	71	67	72	68	65	67	64	62	60
3	76	68	62	57	64	59	55	60	56	53	52
4	70	61	54	49	58	52	48	54	50	47	45
5	65	55	48	42	52	46	42	49	44	41	39
6	60	49	42	37	47	41	37	44	40	36	35
7	56	45	38	33	43	37	33	41	36	32	31
8	52	41	34	30	39	34	29	37	33	29	28
9	48	38	31	27	36	31	27	35	30	26	25
10	45	35	29	24	34	28	24	32	27	24	23

RADIAL WAVE with Prismatic Globe

RW-20_{w/42PR}

200w A-21 Inside Frosted
4010 Lumens - Spac.Crit.=1.0

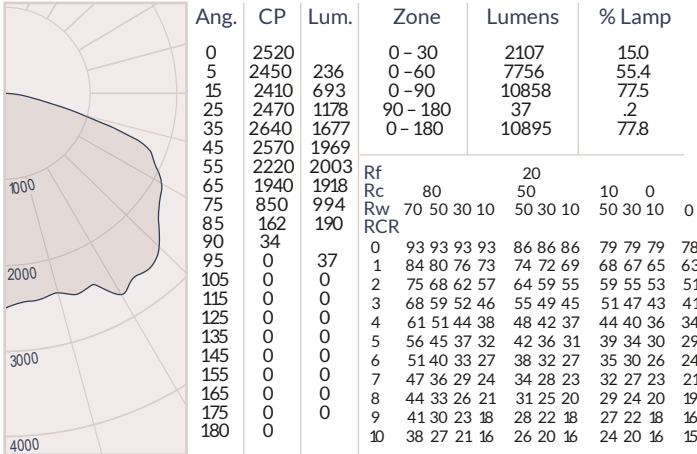


Ang.	CP	Lum.	Zone	Lumens	% Lamp
0	660		0-30	526	13.1
5	651	62	0-60	1848	46.0
15	636	180	0-90	3171	79.0
25	613	284	90-180	110	2.7
35	591	372	0-180	3281	81.8
45	573	444			
55	565	506			

SELF BALLASTED DOME With Prismatic Globe

520B_{w/42PR<}

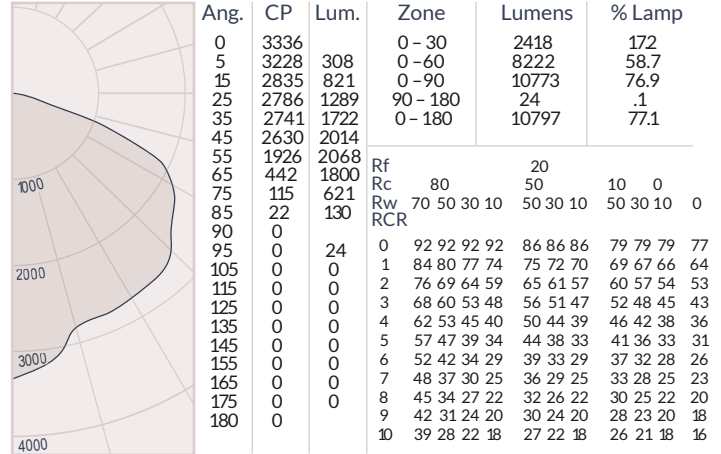
175W BD17 Clear Metal Halide
1400 Lumens - Spac.Crit.=1.8



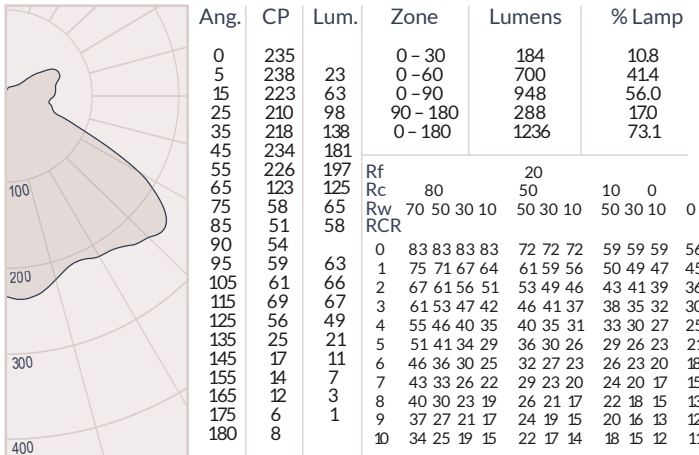
SELF BALLASTED CONE With Prismatic Globe

120B_{w/42PR<}

175W BD17 Clear Metal Halide
1400 Lumens - Spac.Crit.=1.6



12" WHITE POWDER COATED REFLECTOR
WITH PRISMATIC GLASS GLOBE
100 WATT INSIDE FROSTED INCANDESCENT LAMP -
1690 LUMENS



ISO FOOT CANDLE
DIAGRAM 10'
MOUNTING HEIGHT



Bock's Projects

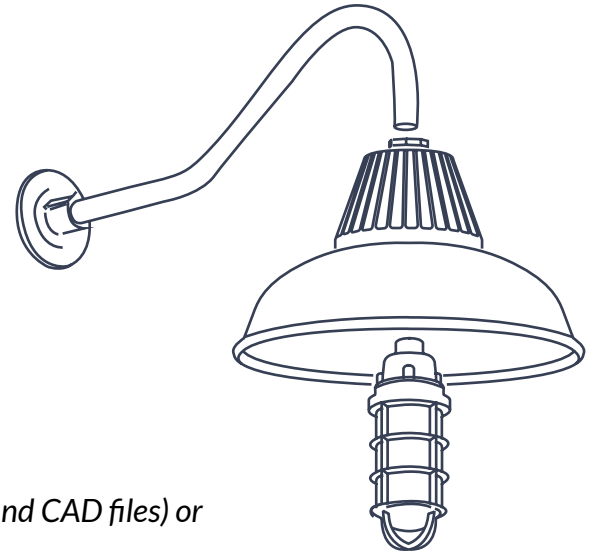
Customization? We can help!

At Bock, customized projects aren't exceptions, they're business as usual. We regularly work with designers to develop custom solutions and we recognize that each project has its own unique challenges and demands.

Some of the most common customization requests include:

- Unique mounting solutions
- Variations in color or finish
- Changes to trim styles
- Aesthetic tweaks to existing products
- Custom configurations from scratch

Please send your custom request to sales@bocklighting.com (BIM, IES and CAD files) or give us a call 216-912-7050.****





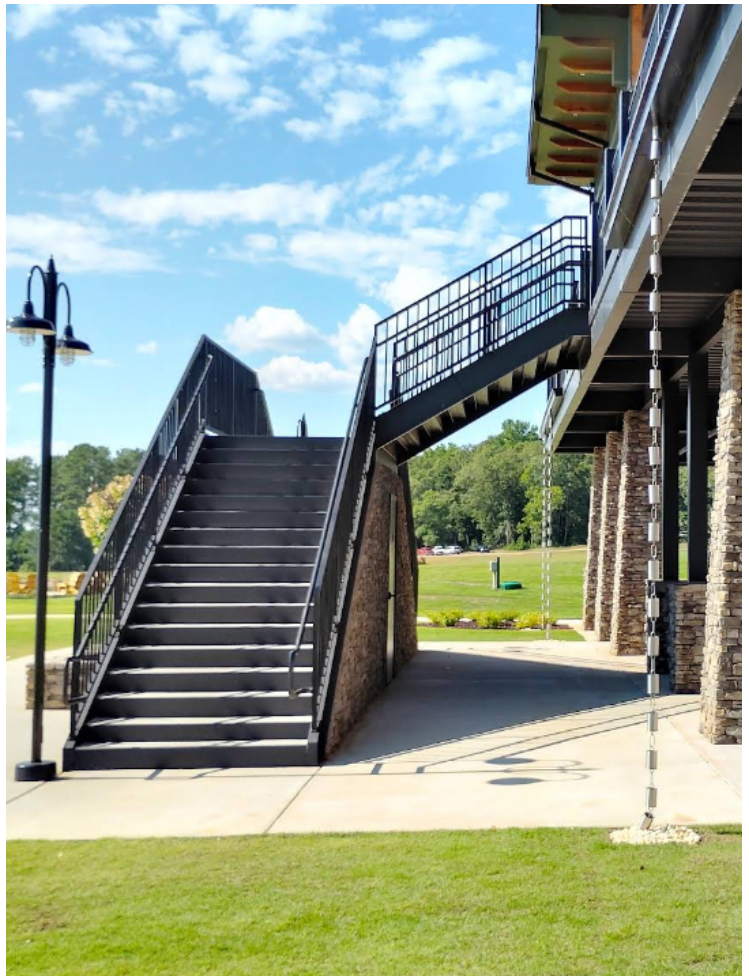
Bock's Projects





Bock's Projects





BockLighting

Your project is our passion!


RLM Reflectors Decorative Commercial Vaportights
Indoor Commercial Outdoor Commercial Custom Fixtures



 BOCKLIGHTING.COM

 SALES@BOCKLIGHTING.COM

 2476 EDISON BLVD, TWINSBURG,
OHIO 44087

 216-912-7050